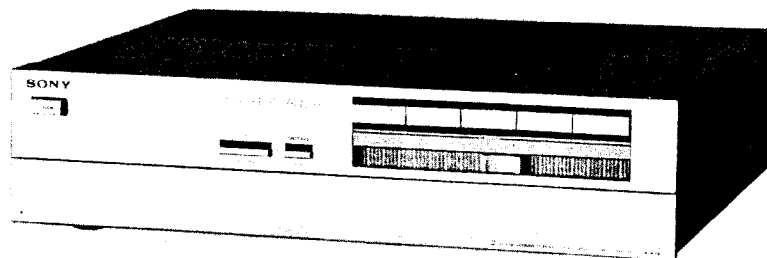


# TA-AX6

For Service Manuals Contact  
MAURITRON TECHNICAL SERVICES  
8 Cherry Tree Rd, Chinnor  
Oxon OX9 4QY  
Tel:- 01844-351694 Fax:- 01844-352554  
Email:- enquiries@mauritron.co.uk

*US Model  
Canadian Model  
AEP Model  
UK Model*



## INTEGRATED STEREO AMPLIFIER

### SPECIFICATIONS


#### AMPLIFIER SECTION

##### Audio Power Specifications

(US, Canadian model):

Power output and total harmonic distortion:  
With 8 ohm loads, both channels driven, from  
20 – 20,000 Hz; rated 75 watts per channel  
minimum RMS power, with no more than  
0.004% total harmonic distortion from 250  
milliwatts to rated output.

#### SAFETY-RELATED COMPONENT WARNING!!

COMPONENTS IDENTIFIED BY SHADING AND MARK  
 ON THE SCHEMATIC DIAGRAMS, EXPLODED  
VIEWS AND IN THE PARTS LIST ARE CRITICAL TO  
SAFE OPERATION. REPLACE THESE COMPONENTS  
WITH SONY PARTS WHOSE PART NUMBERS APPEAR  
AS SHOWN IN THIS MANUAL OR IN SUPPLEMENTS  
PUBLISHED BY SONY.

#### WARNING!!

AN ISOLATION TRANSFORMER SHOULD BE USED  
DURING ANY SERVICE TO AVOID POSSIBLE SHOCK  
HAZARD, BECAUSE OF LIVE CHASSIS.  
THE CHASSIS OF THIS RECEIVER IS DIRECTLY CON-  
NECTED TO THE AC POWER LINE.

#### ATTENTION!!

CET APPAREIL UTILISE UN CIRCUIT D'ALIMEN-  
TATION D'IMPULSION (DE TYPE COMMUTATION),  
IL EST DIRECTEMENT BRANCHÉ SUR LE SECTEUR  
ÉLECTRIQUE. UN TRANSFORMATEUR D'ISOLEMENT  
DOIT ÊTRE UTILISÉ LORS DU DÉPANNAGE POUR  
ÉVITER TOUT RISQUE D'ÉLECTROCUTION.

Continuous RMS  
Power Output (Less  
than 0.004% THD,  
both channels driven  
simultaneously)

(AEP, UK model):

At 20 Hz – 20 kHz  
75 + 75 watts (8 ohms)  
According to DIN 45500  
75 + 75 watts (8 ohms)

Power Bandwidth


(IHF): 5 Hz – 100 kHz

Dynamic Headroom:

1.8 dB (78 IHF)

– Continued on page 2 –

#### ATTENTION AU COMPOSANT AYANT RAPPORT À LA SÉCURITÉ!

LES COMPOSANTS IDENTIFIÉS PAR UNE TRAME ET  
UNE MARQUE  SUR LES DIAGRAMMES SCHÉ-  
MATIQUES, LES VUES ÉCLATÉES ET LA LISTE DES  
PIÈCES SONT CRITIQUES POUR LA SÉCURITÉ DE  
FONCTIONNEMENT. NE REMPLACER CES COM-  
POSANTS QUE PAR DES PIÈCES SONY DONT LES NU-  
MÉROS SONT DONNÉS DANS CE MANUEL OU DANS  
LES SUPPLÉMENTS PUBLIÉS PAR SONY.



# SONY®

---

# SERVICE MANUAL

# TA-AX6

**Harmonic distortion:** Less than 0.004% at rated output  
**Intermodulation (IM) Distortion (60 Hz):**  
 7 kHz = 4 : 1): Less than 0.004% at rated output  
**Frequency Response:** PHONO: RIAA equalization curve  $\pm 0.2$  dB  
 TUNER  
 AUX ) 5 Hz - 100 kHz  $+0$  dB  
 TAPE 1, 2 )  $-3$  dB  
**Residual Noise:** Less than  $23\mu\text{V}$  (8 ohms, network A)  
**Damping Factor:** 100 (8 ohms, 1 kHz)

**Tone controls:** BASS  
 $\pm 8$  dB at 60 Hz (turnover freq. 500 Hz)  
 TREBLE  
 $\pm 8$  dB at 25 kHz (turnover freq. 5 kHz)  
**Bass Boost:** +4 dB at 50 Hz  
**Subsonic Filter:** 6 dB/octave attenuation below 15 Hz  
**Muting:** -20 dB

## GENERAL

### Inputs

	Setting of the CARTRIDGE selector	Sensitivity	Impedance	Maximum input capability (1 kHz)	S/N (weighting network, input level)
MM	MM	2.5 mV	50 k $\Omega$	160 mV	88 dB 86 dB* (A, 2.5 mV)
PHONO	40 $\Omega$		100 $\Omega$		68 dB
MC	3 $\Omega$	0.17 mV	30 $\Omega$	8 mV	75 dB* (A, 0.17 mV)
TUNER AUX TAPE 1, 2	—	150 mV	50 k $\Omega$	—	98 dB 100 dB* (A, 150 mV)

\*78 IHF

**Outputs:** REC OUT 1, 2  
 Voltage 150 mV  
 Impedance 1 k ohm  
 SPEAKER A, B  
 Accepts speakers of 8 to 16 ohms.  
 HEADPHONES  
 Accepts low and high impedance headphones.

**System:** Preamp section: low-noise NF type equalizer amp.; NF type tone control  
 Power amp section: pure-complementary SEPP dc power amplifier with all stages direct coupled  
 Power supply section: pulse power supply circuitry

**Power Requirements:** 120 V ac, 60 Hz (US, Canadian model)  
 220 V ac, 50/60 Hz (AEP model)  
 240 V ac, 50 Hz (UK model)

**Power Consumption:** 150 watts (US model)  
 320 VA (Canadian model)  
 140 watts (AEP model)  
 390 watts (UK model)

**AC Outlets (US, Canadian model):** Two switched (total 100 watts)  
 One unswitched (100 watts)

**Dimensions:** Approx. 430 x 105 x 350 mm (w/h/d)  
 (17 x 4 $\frac{1}{4}$  x 13 $\frac{7}{8}$  inches)  
 including projecting parts and controls

**Weight:** Approx. 6.1 kg (13 lbs 7 oz) net  
 Approx. 7.2 kg (15 lbs 14 oz) in shipping carton

## MAJOR DESIGN ELEMENTS AND CIRCUIT FEATURES

### Audio current drive amplifier

An unusual current transfer circuit design keeps the preamplifier and power amplifier stages electrically separate, thus equalling the quality of separate amplifiers.

### Legato linear power amplifier stage

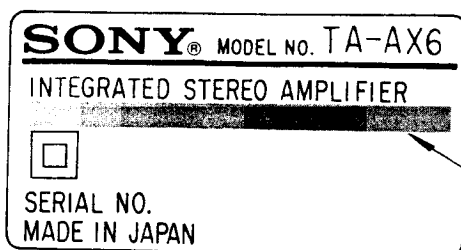
The operation of the power amplifier stage is stable without any observable distortion up through the higher frequencies. We call this power amplifier "legato linear", because its switching distortion is very low and its output waveform smooth.

### Shunt regulator for power supply section

The current-drive technique is also applied to the power supply regulator. This amplifier employs a constant current shunt regulator, instead of a conventional voltage regulator, to permit separate powering of the preamplifier and power amplifier stages.

## MODEL IDENTIFICATION

— Specification Label —



AEP model:	AC 220 V	50/60 Hz	140 W
UK model:	AC 240 V	50/60 Hz	390 W
US model:	AC 120 V	60 Hz	150 W
Canadian model:	AC 120 V	60 Hz	320 W

## SERVICING NOTES

### 1. Pulse Power Supply Board Repairing

This set has a pulse power-supply circuit which is quite different from a conventional power-supply circuit. The pulse power-supply directly rectifies and smooths the ac input power to produce the higher dc voltages required in the power-supply circuit. When servicing this set, note the following.

- a) To prevent unwanted radiation due to pulse signals in the pulse power-supply circuit, the pulse power-supply board is shielded by the aluminum diecast box.
- b) Take care that electrolytic capacitor (C802) which is used after the rectification of ac power source voltage is charged even if the POWER switch is turned off. Be sure to use a resistor of at least several hundred ohms to discharge the capacitor. Direct discharge by means of lead is dangerous.

### 2. Inverter Circuit Transistor Replacement

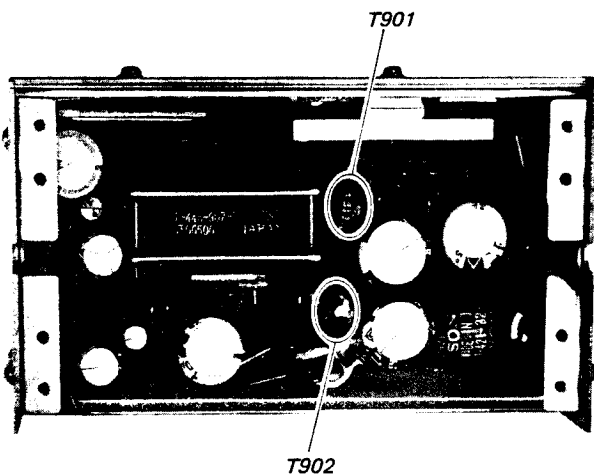
When any of inverter transistors (Q903, Q904) is broken, replace their transistors together. A pair of transistors with the same rank is provided for service field use.

#### • AEP, UK model

Ref. No.	Part No.	Description
Q903, Q904	X-4873-604-1	Transistor Ass'y, service

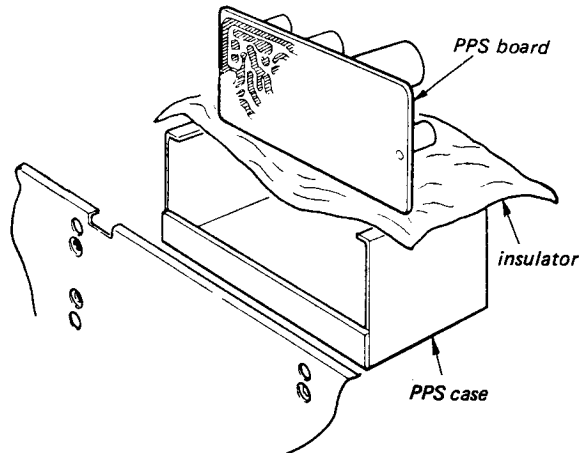
#### • US, Canadian model

Ref. No.	Part No.	Description
Q903, Q904	X-4873-603-1	Transistor Ass'y, service



### Servicing Notes/Checking the Pulse Power Supply Section

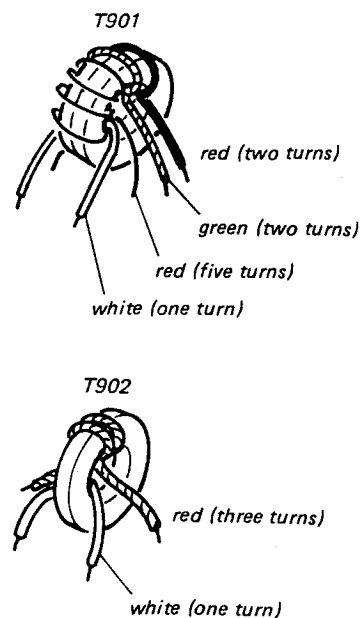
1. When checking or servicing the pulse power supply, spread an insulation sheet on the top of the chassis or the case.
2. Be careful not to cause a short in the chassis or the case.



### 3. Inverter Circuit Transformer Replacement

The lead wire arrangement for each of T901 and T902 in the inverter circuit is shown in Fig. A.

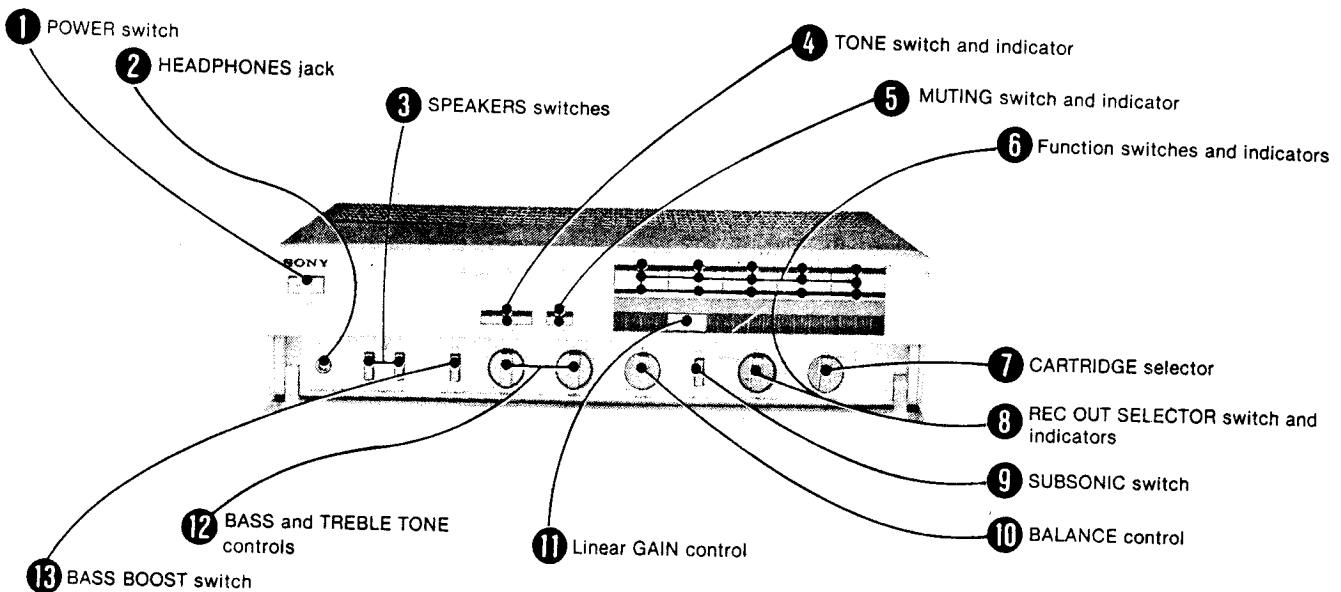
As the repair parts, T901 and T902 are formed by only iron core. Thus, if the coil is defective, arrange a new transformers as shown below. Note that the lead lengths must be exact. Also wind the coil carefully.



SECTION 1  
OUTLINE

## 1-1. LOCATION AND FUNCTION OF CONTROLS

Before plugging in or attempting to operate this amplifier, it is suggested that you familiarize yourself with all its switches and controls and the purpose of each. Each number in the photo is keyed to the descriptive text.



Open the control panel cover.

- 1 POWER switch**  
Turns the operating power on or off.
- 2 HEADPHONES jack**  
Accepts any low or high impedance stereo headphones. For headphone monitoring only, keep the SPEAKERS switches released (OFF).
- 3 SPEAKERS switches**  
Select speaker system A or B, or both.
- 4 TONE switch and indicator**  
Depress this switch (ON) when you adjust the tone or when you use the BASS BOOST switch. An indicator lamp will light up when the switch is depressed. While you keep the switch released (DIRECT), the tone control circuits are completely disconnected from the signal path and an absolutely flat frequency response is obtained.
- 5 MUTING switch and indicator**  
When the MUTING switch is depressed, the MUTING indicator will light up and the overall listening sound level is reduced by 20 dB. When the switch is released by depressing it again, you can restore exactly the same listening level as before. This feature is useful when you lower the tonearm onto the record or when you answer the telephone.
- 6 Function switches and indicators**  
Press to select the desired program source. Press another switch to change the program. The indicator lamp above the pressed switch will light up, indicating the program in use.  
PHONO: For disc programs (connected to PHONO inputs)  
TUNER: For off-the-air programs (connected to TUNER inputs)  
AUX: For auxiliary programs (connected to AUX inputs)  
TAPE 1: For playback of tape recorder 1  
TAPE 2: For playback of tape recorder 2
- 7 CARTRIDGE selector**  
Selects the optimum loads for the cartridge used. For moving-magnet types, set the selector to the MM position, and set it to either the 40  $\Omega$  or 3  $\Omega$  position for moving-coil types.
- 8 REC OUT SELECTOR switch and indicators**  
Permits you to select the desired program source you want to record. An indicator lamp will light in red, indicating the program source selected. When you are not recording a program source, set the switch at OFF position.
- 9 SUBSONIC switch**  
If subsonic noise components created by warped records, etc. are present, the audible range frequencies may be modulated and cause irritating intermodulation distortion. In this case, depress the switch (ON) to reduce unwanted noise components in the program source. The filter will cut off any input signals below 15 Hz at a 6-dB-per-octave rate. Depress the switch again to release it (OFF).
- 10 BALANCE control**  
Governs the amount of sound coming from each paired speaker to get optimum stereo effect. When you turn the BALANCE control to the right, the left channel volume is decreased, and vice versa.
- 11 Linear GAIN control**  
Regulates the overall sound level. Sliding the lever towards MAX increases the volume and sliding it towards MIN decreases the volume. Be sure to lower the volume whenever you turn the amplifier on or off or make system connections.
- 12 BASS and TREBLE TONE controls**  
These knobs control the prominence of bass and treble response. Clockwise rotation increases response; counterclockwise rotation decreases it. Normally keep these at the "0" position. Adjust the tone to the acoustic condition of the listening room or to your preference. When these TONE controls are to be used, be sure to first depress the TONE switch (ON).
- 13 BASS BOOST switch**  
Depress this switch (ON) when you are driving a speaker system, such as a small bookshelf type system, which has a weak bass response. When the BASS BOOST switch is to be used, be sure to first depress the TONE switch (ON).

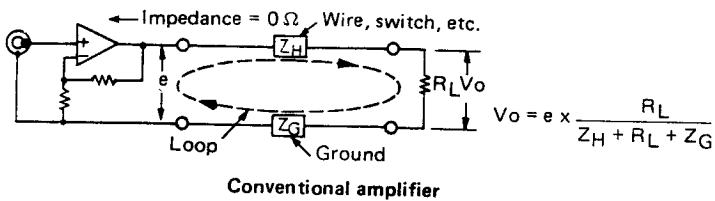
1-2. CIRCUIT DESCRIPTION

AUDIO CURRENT DRIVE AMPLIFIER

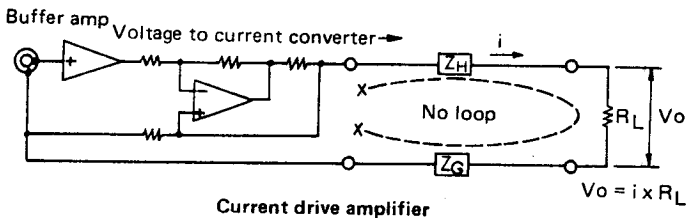
An integrated stereo amplifier consists of two preamplifiers and two power amplifiers—one for the left and one for the right channel—plus a power supply section to power them.

The best integrated stereo amplifier design calls for four amplifier stages which are completely separate, so that there is no electrical interference among them.

Sony's design philosophy concerning integrated stereo amplifiers is to match or excel the quality of separate amplifiers. To realize this, Sony developed the Audio Current Transfer (A.C.T.) technique. As you know, conventional amplifiers employ a voltage transfer technique to transmit signals. This voltage transfer design has, however, a problem in that the quality of the signals may be greatly affected by the wire used, the contact resistance of the connectors and switches, and by the current flowing through the ground.



Sony's A.C.T. circuit eliminates this problem. The first stage of the A.C.T. circuit consists of a buffer amplifier which provides a high input impedance and a low output impedance. Next comes the voltage-to-current inverter whose signal source impedance is infinite. This means that the preamplifier output impedance seen from the power amplifier stage is infinite.



This circuit reduces the distortion caused by auxiliary devices, such as switches and volume controls to a negligible level.

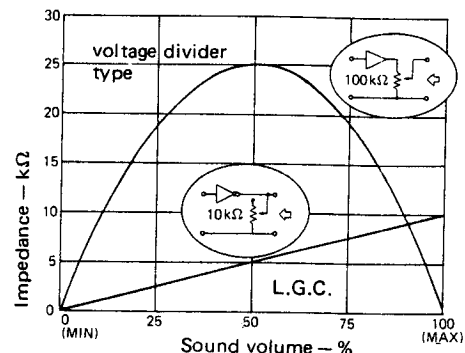
LINEAR GAIN CONTROL

To enable an accurate signal to be transferred to the power amplifier stage, a linear gain control (current-drive type) is inserted between the preamplifier and power amplifier stages.

In this configuration, the linear gain control directly controls the gain of the preamplifier stage. As shown in the diagram, the linear gain control's impedance becomes lower as the volume decreases. (The impedance of the conventional voltage-divider type gain control used in most amplifiers does not.)

This means that the lower the volume, the better the signal-to-noise ratio, separation and distortion.

As amplifiers are seldom operated at maximum volume in actual use, a linear gain control offers great advantages at normal listening level.



Relationship of sound volume and impedance in two types of volume controls

LEGATO LINEAR POWER AMPLIFIER STAGE

Amplifiers now employ a variety of power output stage designs to reduce crossover and switching distortion.

Sony's basic approach to power output stage design is not a new one, but a greatly improved class B push-pull power amplifier which we call the "legato linear" amplifier. In the legato linear amplifier, high  $f_T$  transistors are employed to extend frequency response and accelerate the switching response.

The resistance of the emitter resistor used for the amp's bias network is 0.1 ohm, the lowest possible value which will keep the output stage stable and output distortion minimum.

As a result of this circuit design, this amplifier establishes the highest standards of distortion reduction.

CONSTANT CURRENT SHUNT REGULATOR

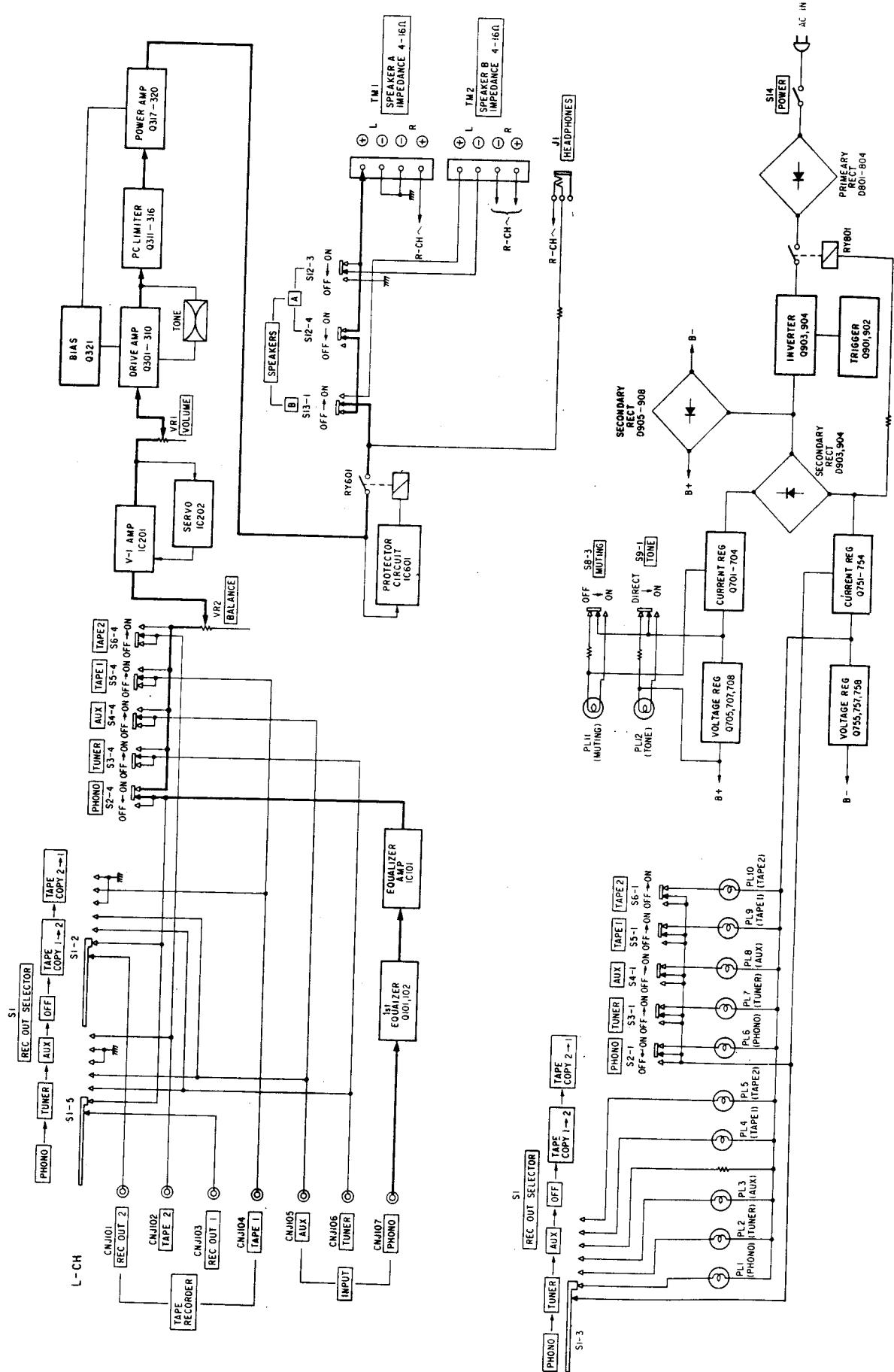
The power amplifier stage is directly powered by the pulse power supply which has a low impedance down to the dc region and complete freedom from hum. The preamplifier stage is powered through a shunt regulator.

This shunt regulator is designed to keep the power supply current constant, so that the preamplifier power supply has an infinite impedance when seen from the power amplifier power supply and has almost no impedance when seen from the preamplifier stage.

This powering system keeps the preamplifier and power amplifier power supplies electrically separate and provides well-regulated power for each stage.

For Service Manuals Contact  
**MAURITRON TECHNICAL SERVICES**  
 8 Cherry Tree Rd, Chinnor  
 Oxon OX9 4QY  
 Tel: 01844-351694 Fax: 01844-352554  
 Email: enquiries@mauritron.co.uk

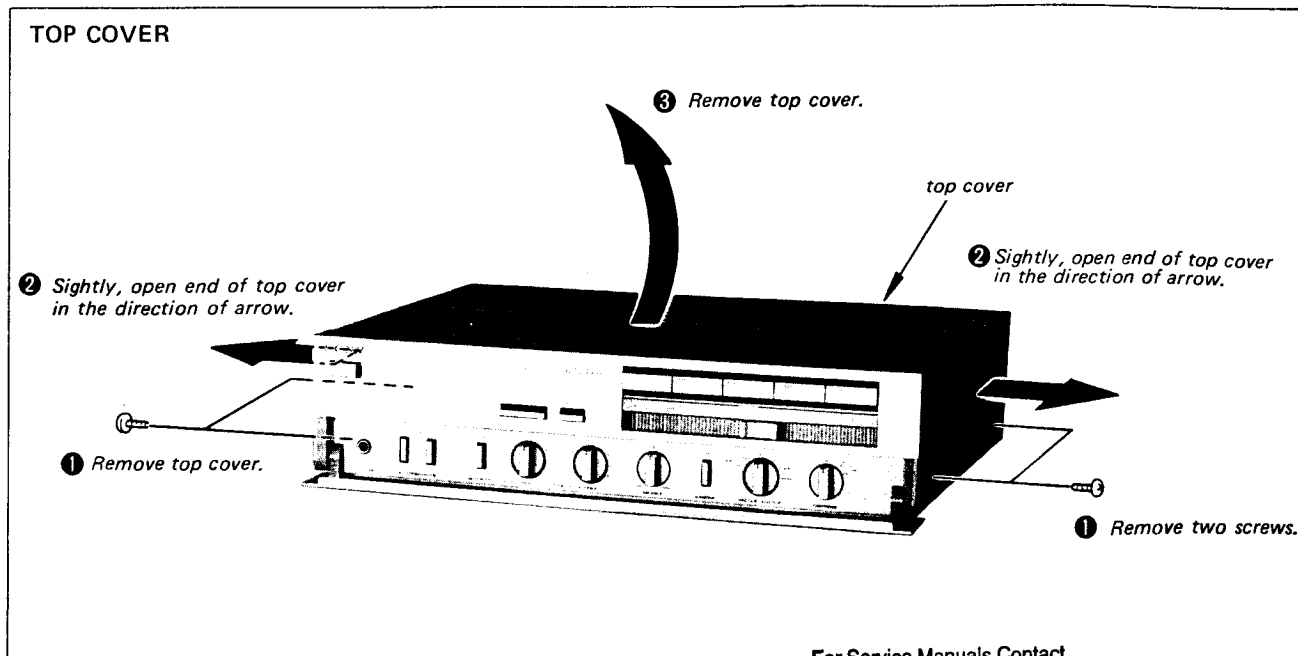
1-3. BLOCK DIAGRAM



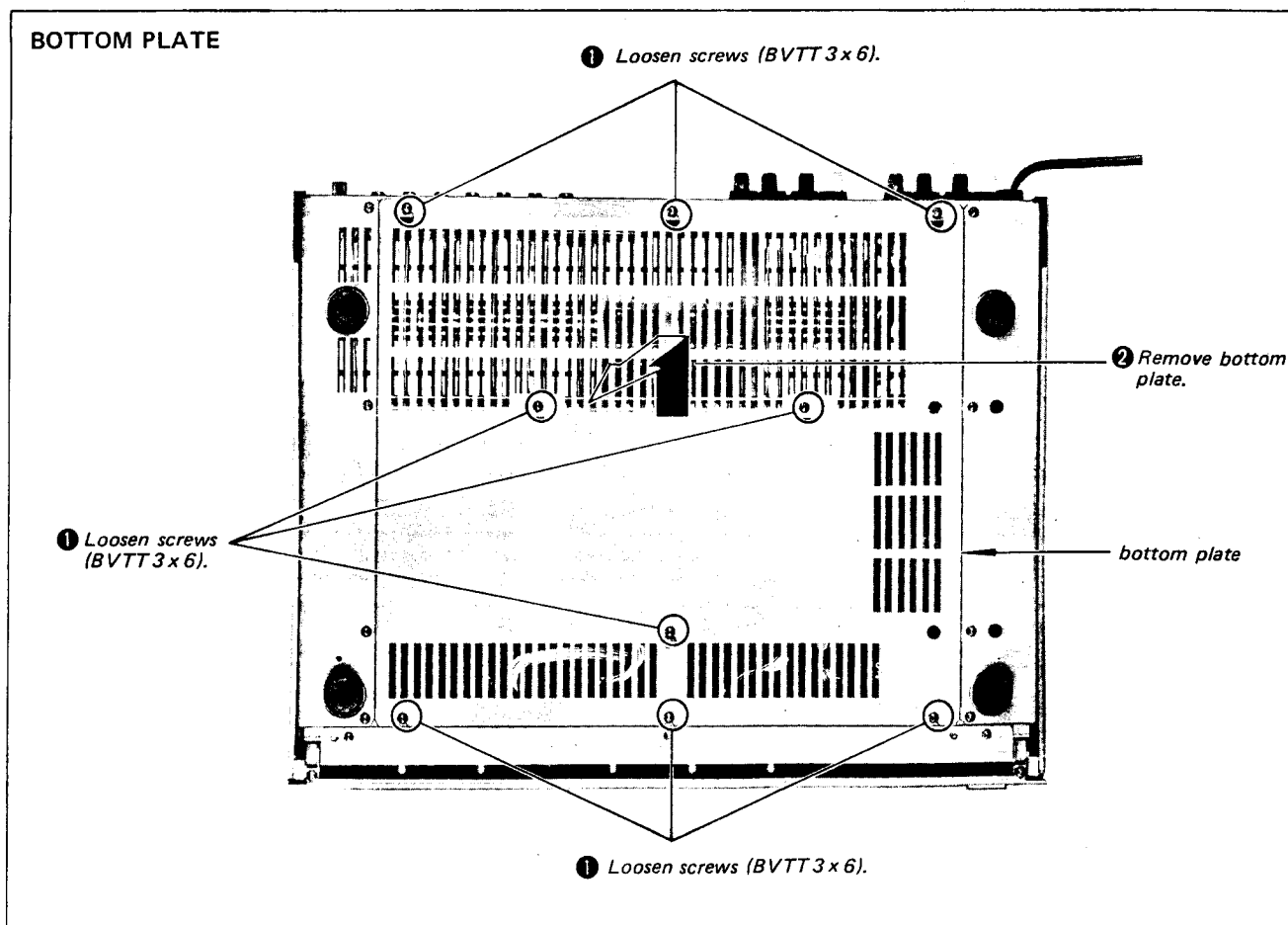
## SECTION 2 DISASSEMBLY

TA-AX6

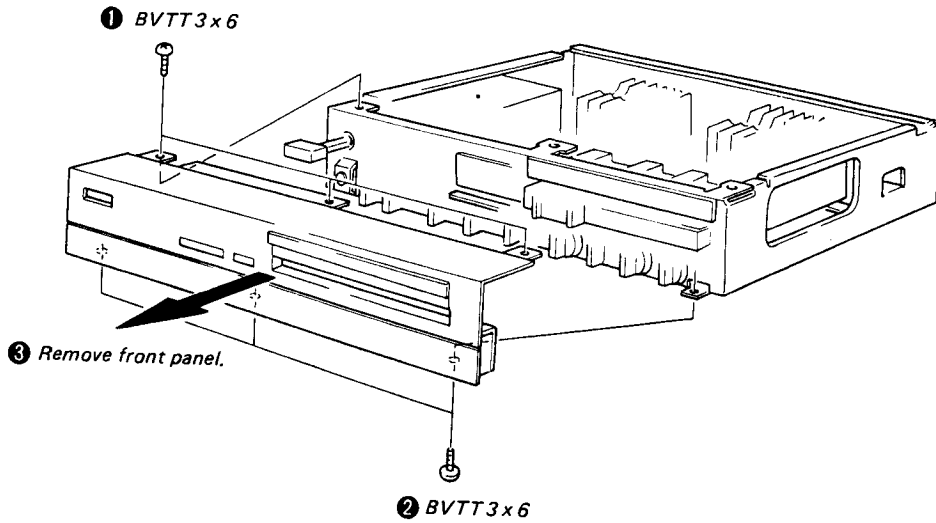
Note: Follow the disassembly procedure in the numerical order given.



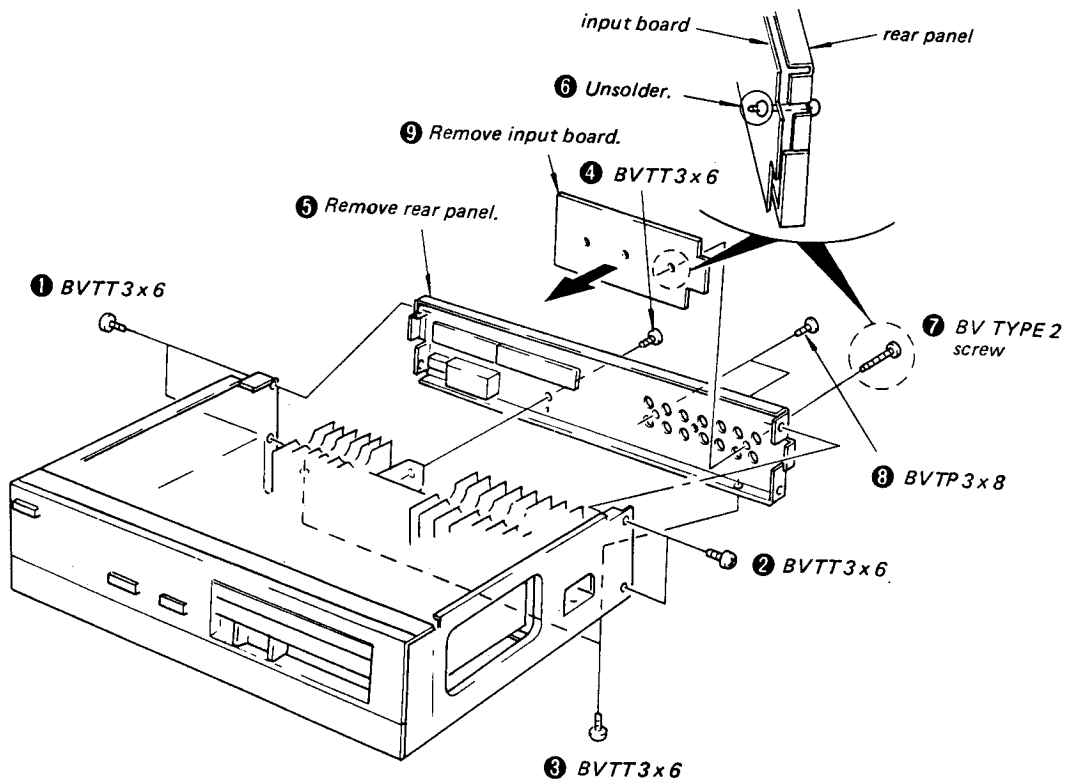
For Service Manuals Contact  
MAURITRON TECHNICAL SERVICES  
8 Cherry Tree Rd, Chinnor  
Oxon OX9 4QY  
Tel: 01844-351694 Fax: 01844-352554  
Email: enquiries@mauritron.co.uk



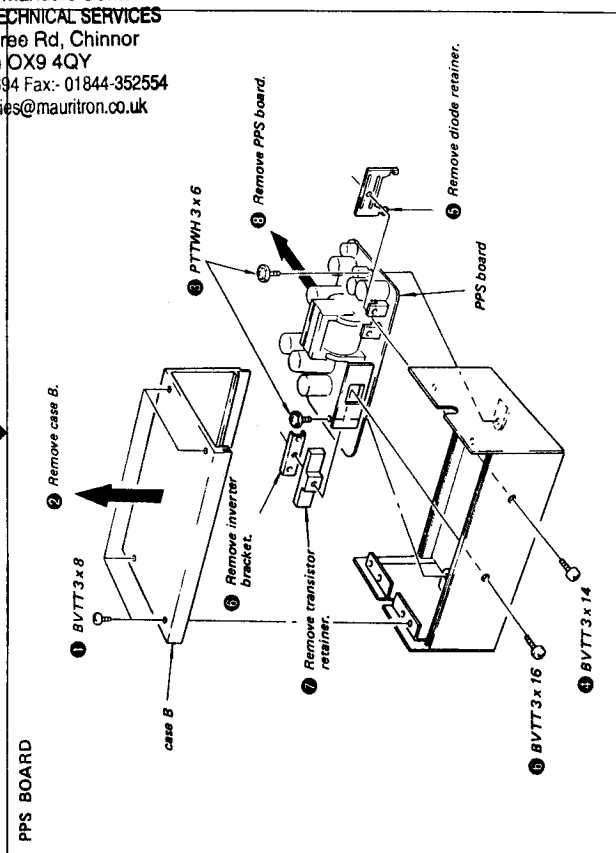
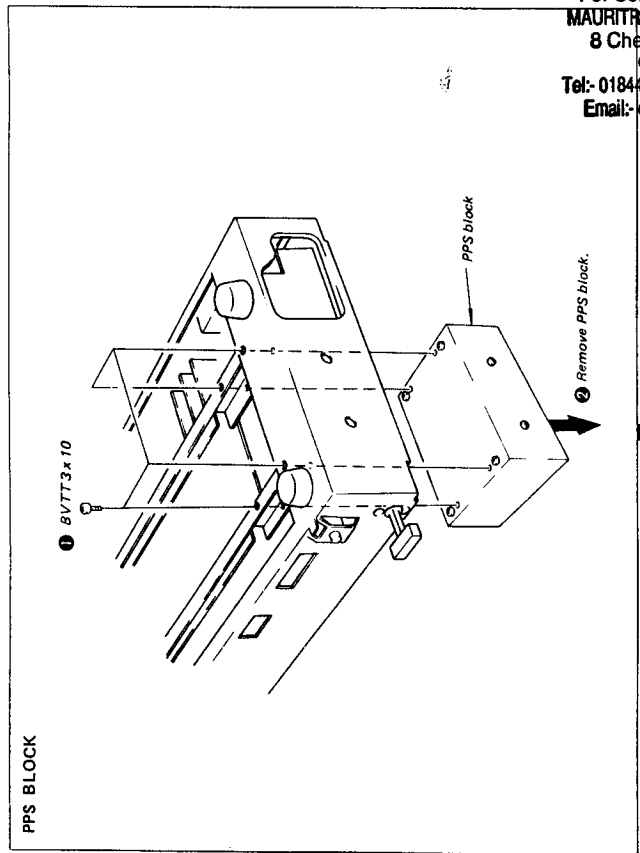
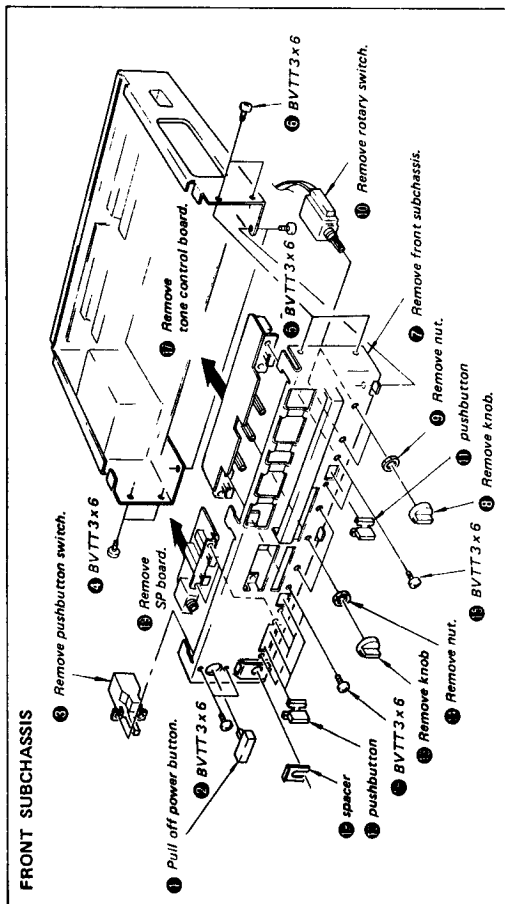
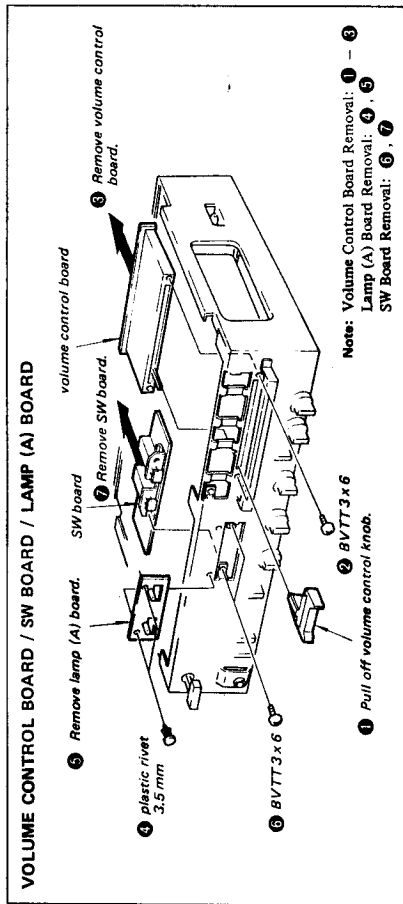
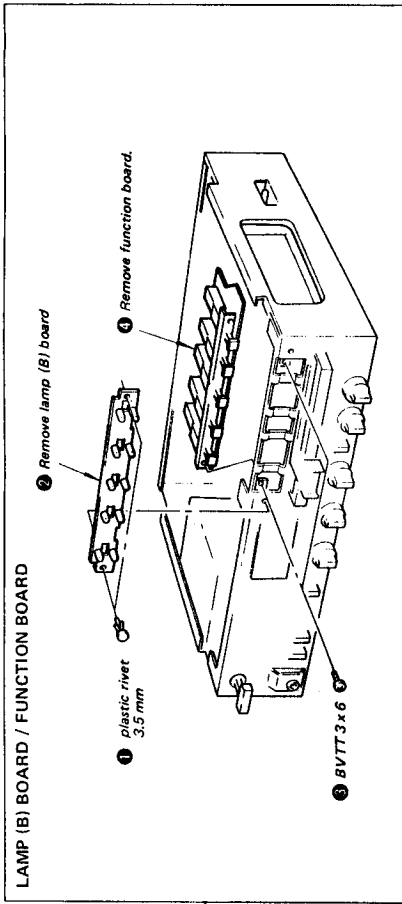
FRONT PANEL



INPUT BOARD







For Service Manuals Contact  
**MAURITRON TECHNICAL SERVICES**  
 8 Cherry Tree Rd, Chinnor  
 Oxon OX9 4QY  
 Tel: 01844-351694 Fax: 01844-352554  
 Email: enquiries@mauritron.co.uk

3-1. ELECTRICAL ADJUSTMENTS

Note:

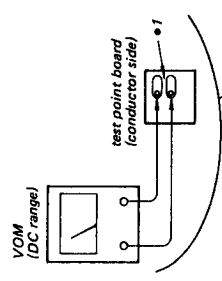
- DC BIAS and DC BALANCE adjustments should be made several minutes after the POWER switch is turned on (POWER ON.).
- Make DC BIAS adjustment first.
- Repeat DC BIAS and DC BALANCE adjustments two or three times.
- After replacing the power transformers, DC BIAS and DC BALANCE adjustments should be made.

DC Bias Adjustment (with no signal input)

Procedure:

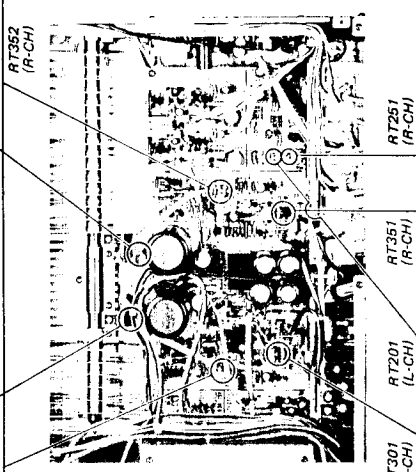
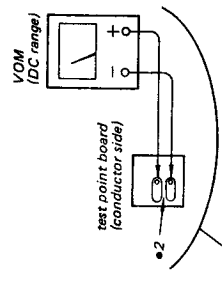
- L-CH -

- Disconnect the soldered patterns marked with ●1 on the test point board.
- Adjust RT302 for 50 mA reading on the VOM.
- Connect the unsoldered patterns.



- R-CH -

- Disconnect the soldered patterns marked with ●2 on the test point board.
- Adjust RT352 for 50 mA reading on the VOM.
- Connect the unsoldered patterns.



DC Balance Adjustment (with no signal input)

- Connect a VOM across the SPEAKER terminal.
- Set the VOLUME control fully rightwards.
- Adjust RT201 (L-CH) and RT251 (R-CH) for 0 V reading on the VOM.
- Set the VOLUME control fully leftwards.
- Adjust RT301 (L-CH) and RT351 (R-CH) for 0 V reading on the VOM. (Set the VOM high at first. After obtaining 0 V reading, lower the range gradually and adjust RT301 and RT351.)

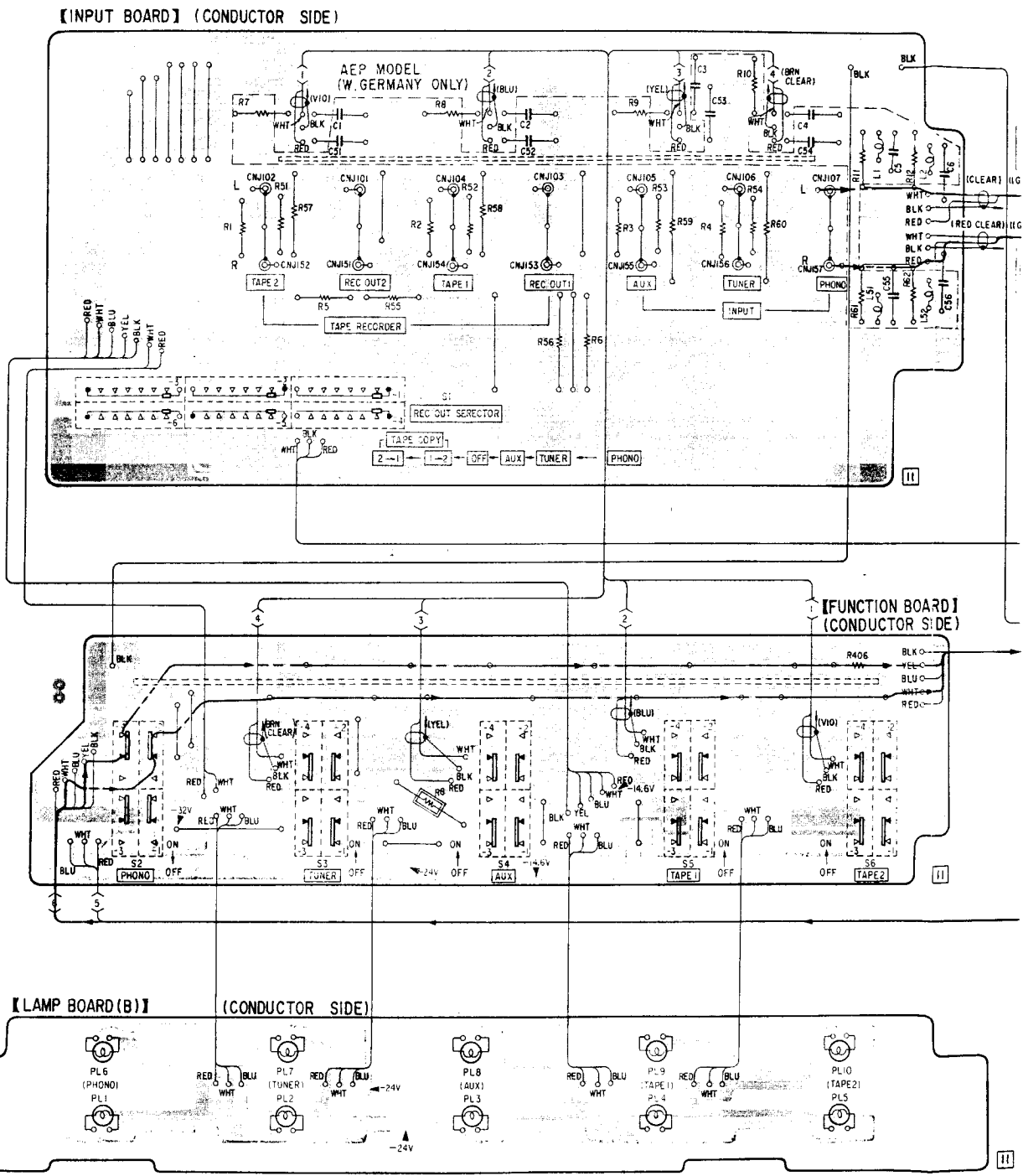
Semiconductor Lead Layouts	
CTU-22U 	2SA1026 2SA1027R 
MV203V 	2SA1141 2SC2681 
STV-2H 	2SB648 2SB649 2SD668 2SD669 2SD809 
1S1555 10DF2 30DL4FA HZ8C-3L HZ33-2L 	2SC2944 
NE5532N NE5532P TL082CP 	2SD880 
HA12002 	2SK30A 2SK170 2SK246 
2SA995 	2SK150A 
2SA1015 2SC1815 2SC944 2SC1364 2SD666 2SD666A 	

A B C D

4-1. MOUNTING DIAGRAM

- Conductor Side -

• See page 12 for semiconductor lead layouts.



For Service Manuals Contact  
**MAURITRON TECHNICAL SERVICES**  
 8 Cherry Tree Rd, Chinnor  
 Oxon OX9 4QY  
 Tel: 01844-351694 Fax: 01844-352554  
 Email: enquiries@mauritron.co.uk



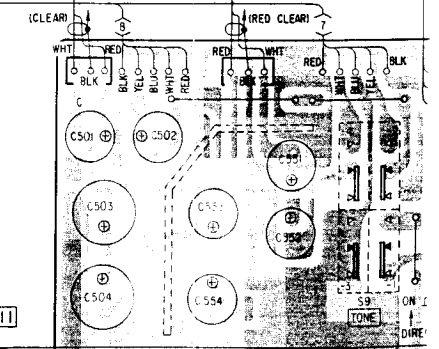
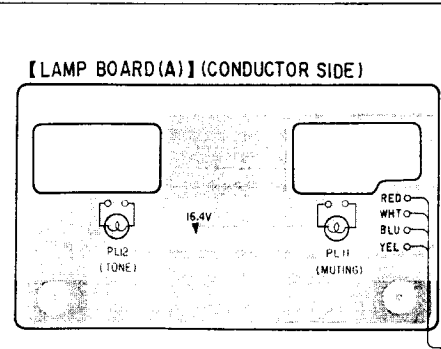
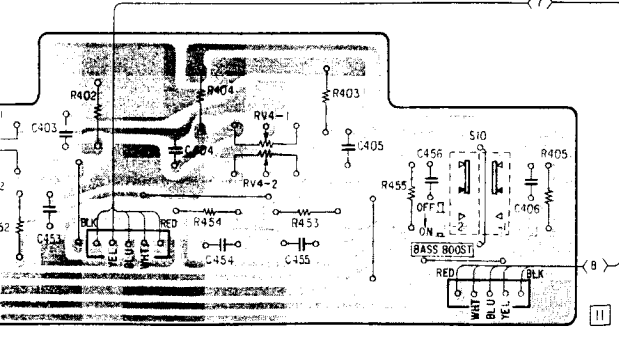
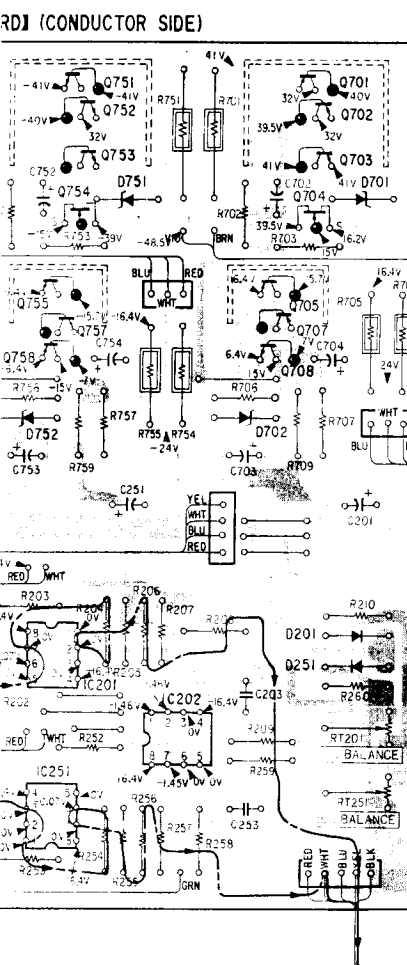
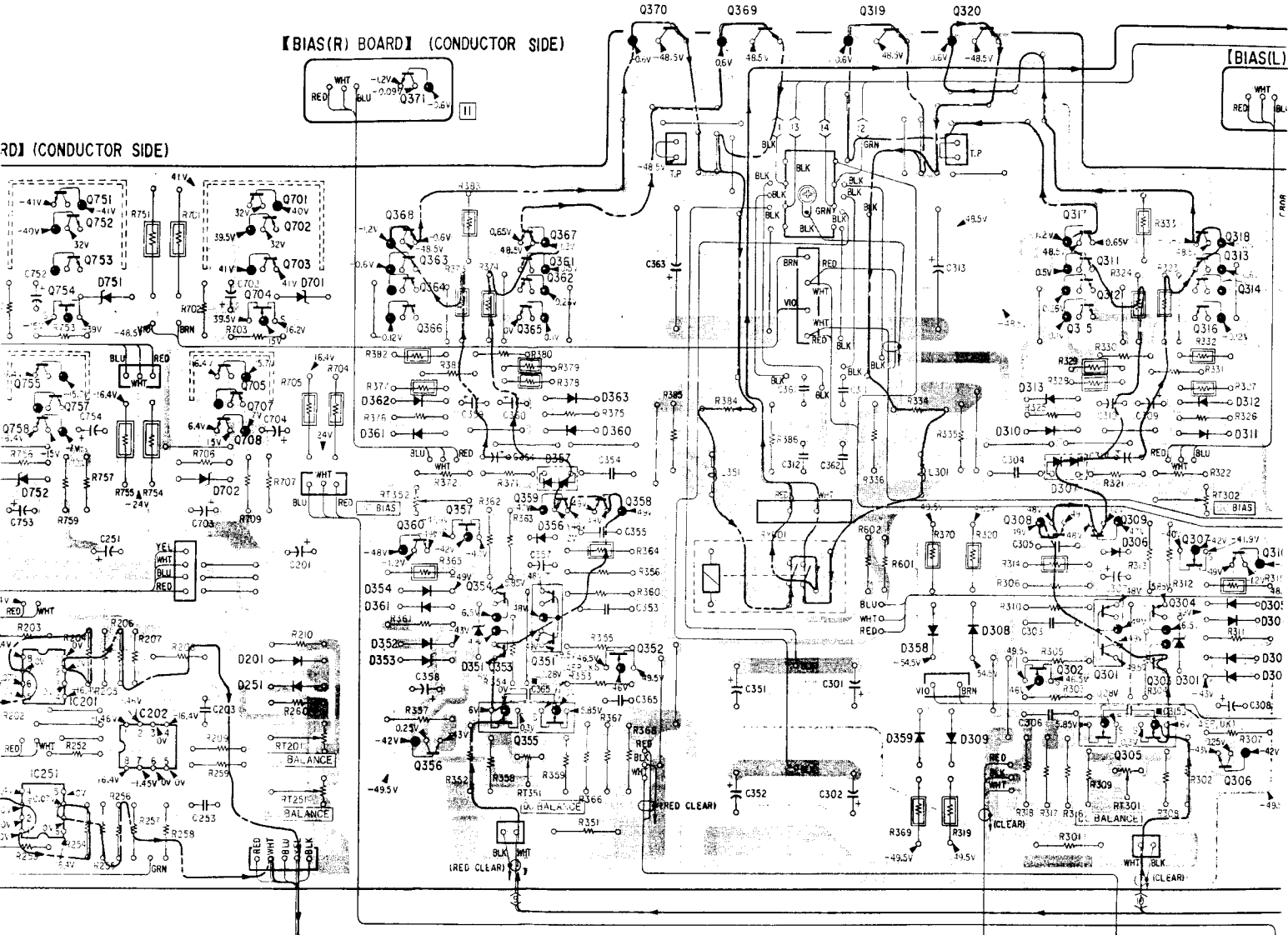
G

H

I

J

755 757 758	751 752 753	IC201, IC251	IC202	705 707 708	701 702 703 704	371 368 363 364 366	354 360 356	357	354 355	367 361 362 353	355 351	358 352	370	369	319	320	317 311 312 309	304 303	302 308 301	305 306	318 313 314 316	310 306
752	751	702	701 201 251	362 361 361 353	351	357 363 360	359 351	358 352	359 309	358 308	313 310	307	306	312 311	305 304 302 303							



For Service Manuals Contact  
**MAURITRON TECHNICAL SERVICES**  
 8 Cherry Tree Rd, Chinnor  
 Oxon OX9 4QY  
 Tel: 01844-351694 Fax: 01844-352554  
 Email: enquiries@mauritron.co.uk

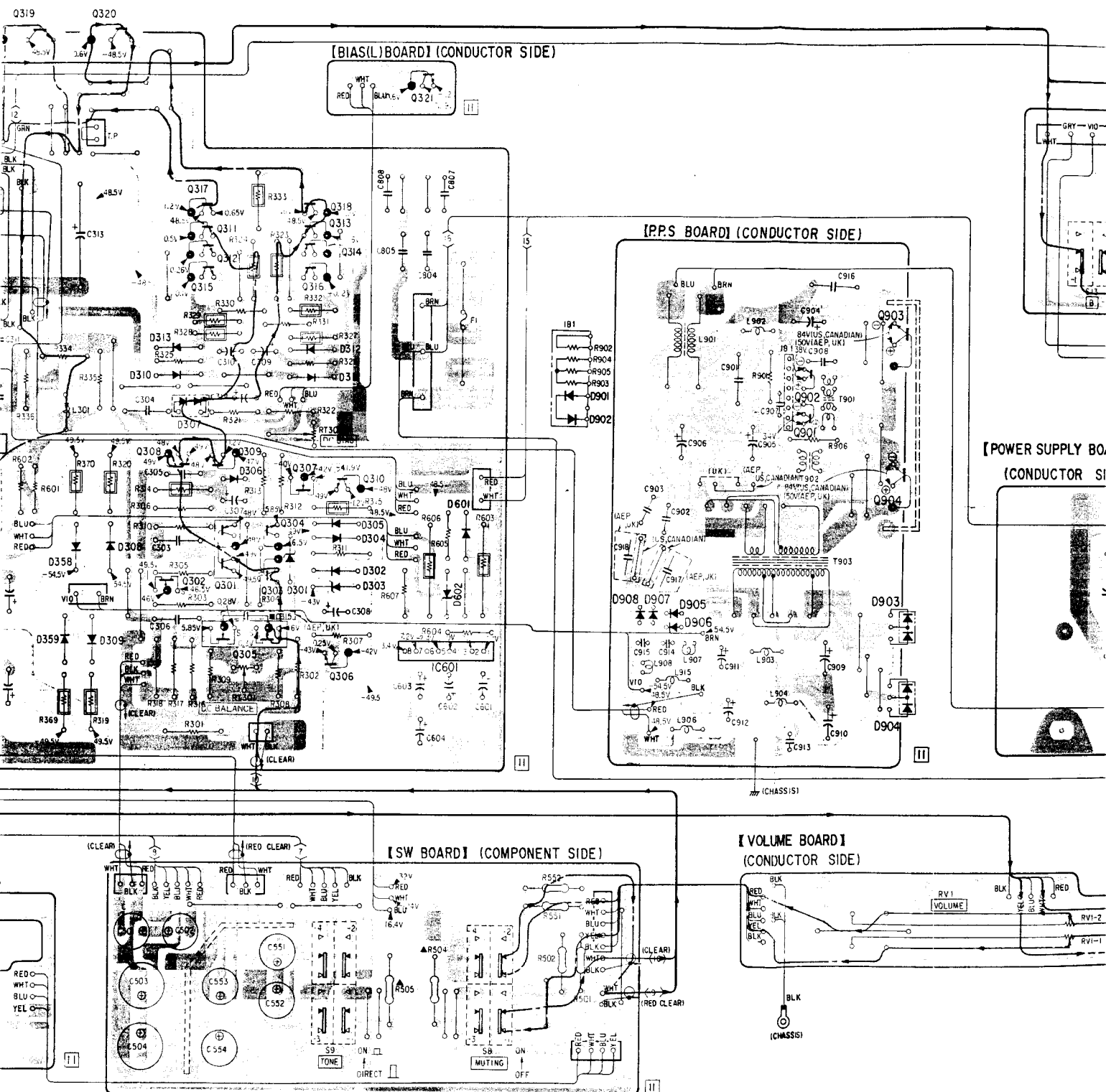
J

K

L

M

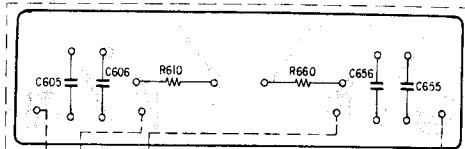
319	320	317 311	318 313	321	902 901	903 904
		302 308 315 301	304 303	310 IC601		
358 359	308 309	313 310	307	306	908 907 905 906	903 904



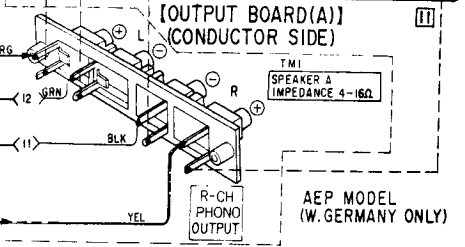
902  
901

903  
904

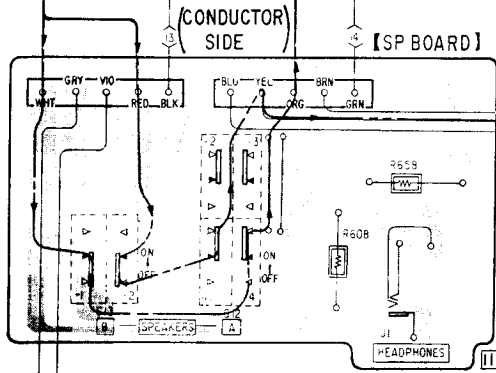
801  
802  
803  
804



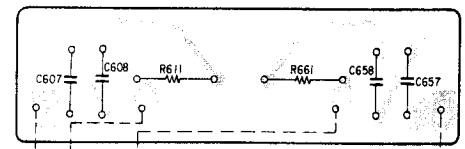
[OUTPUT BOARD(A)]  
(CONDUCTOR SIDE)



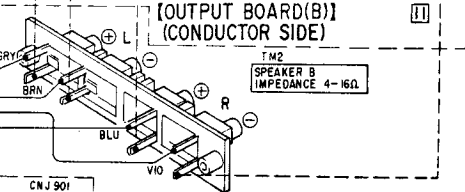
AEP MODEL  
(W. GERMANY ONLY)



[SP BOARD]

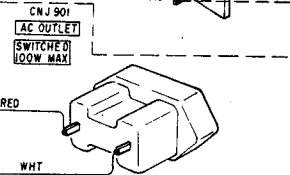
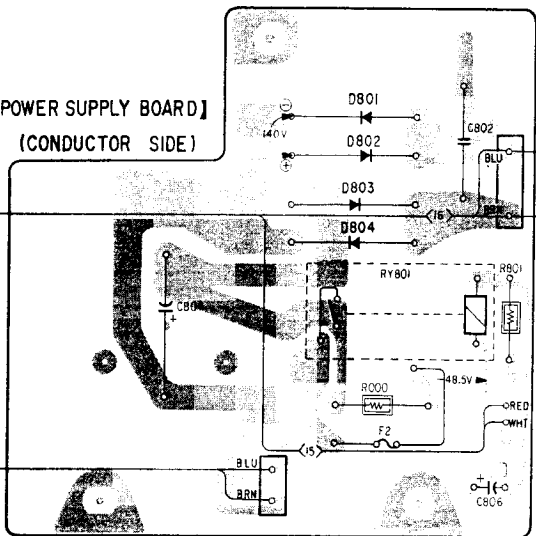


[OUTPUT BOARD(B)]  
(CONDUCTOR SIDE)



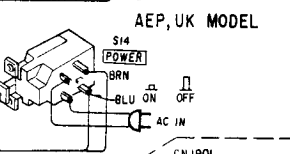
SPEAKER B  
IMPEDANCE 4-16Ω

[POWER SUPPLY BOARD]  
(CONDUCTOR SIDE)

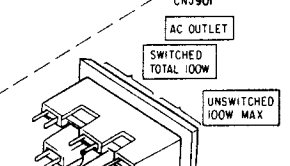


AEP, UK MODEL

For Service Manuals Contact **B**  
MAURITRON TECHNICAL SERVICES  
8 Cherry Tree Rd, Chinnor  
Oxon OX9 4QY  
Tel: 01844-351694 Fax: 01844-352554  
Email: enquiries@mauritron.co.uk

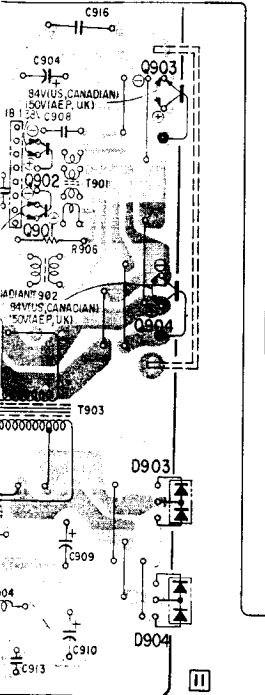


AEP, UK MODEL

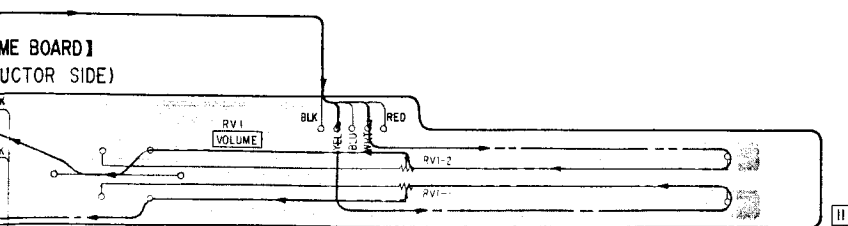


US, CANADIAN MODEL

[CONDUCTOR SIDE]

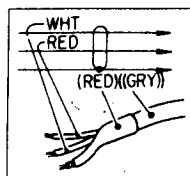


[VOLUME BOARD]  
(CONDUCTOR SIDE)



**Note:**

- Color code of sleeving over the end of the jacket.



- [Symbol] : B + pattern
- [Symbol] : B - pattern
- [Symbol] : signal path
- [Symbol] : L-CH signal path
- [Symbol] : R-CH signal path

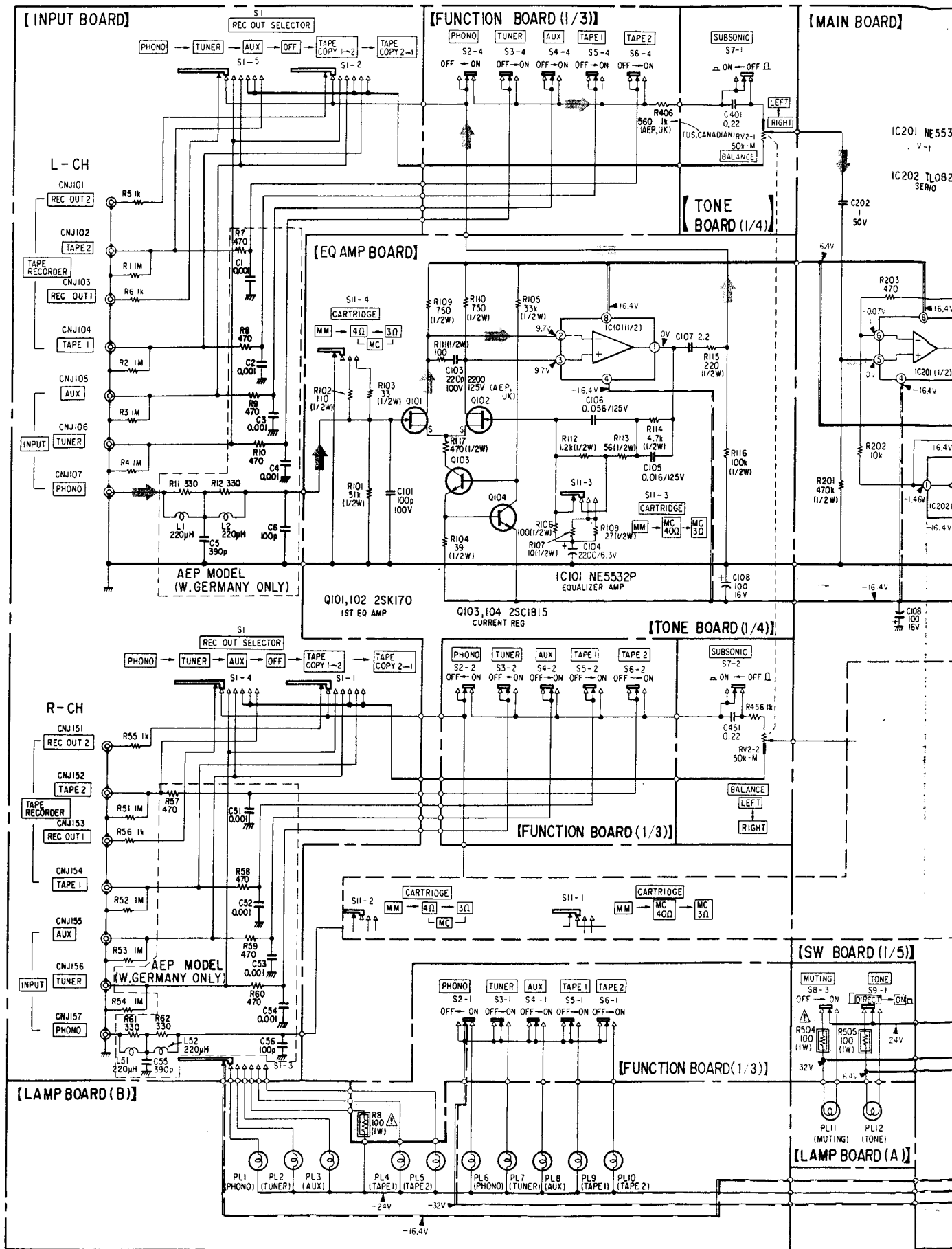
1

2

4

5

4-2. SCHEMATIC DIAGRAM





# TA-AX6 TA-AX6

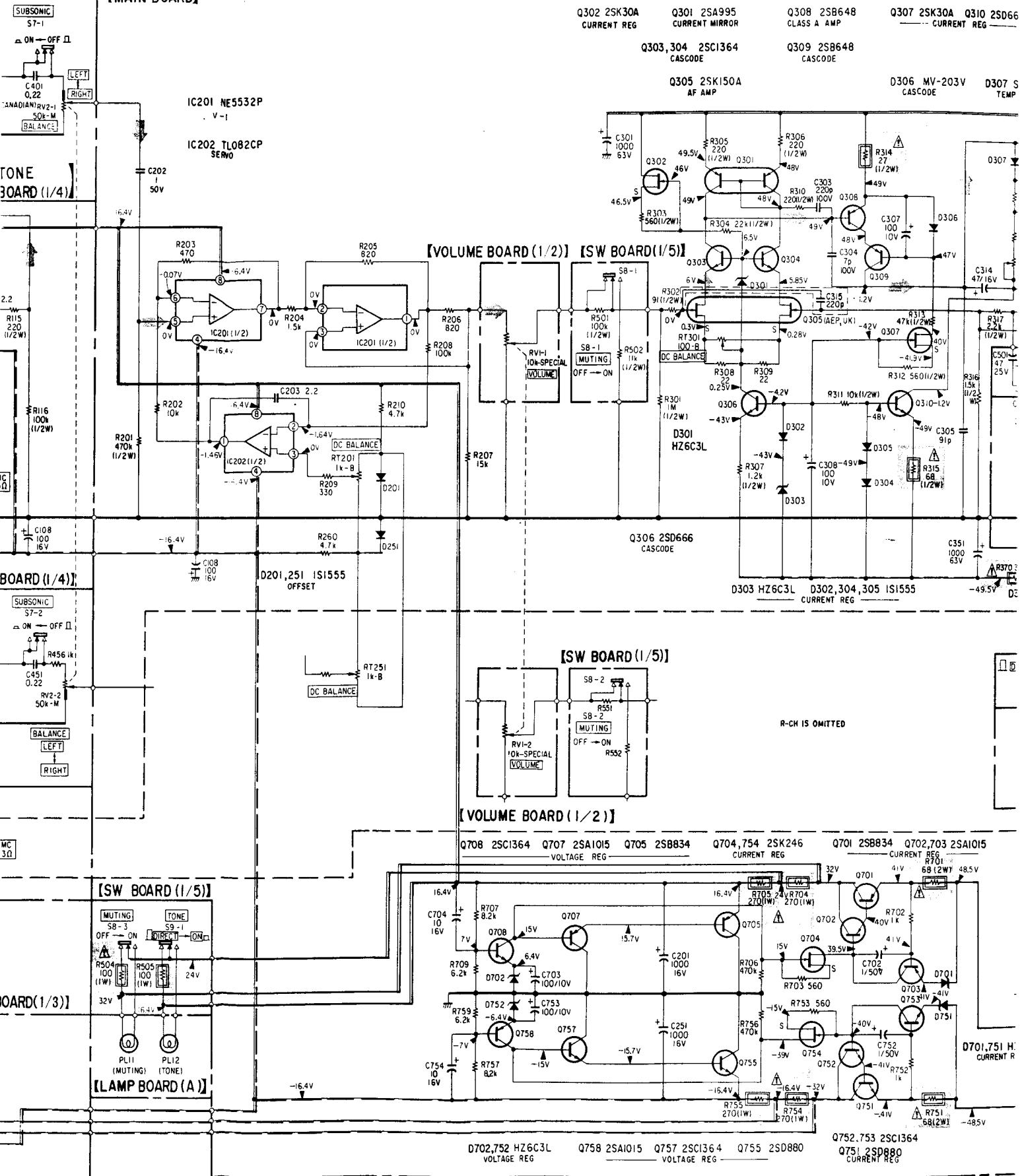
D

E

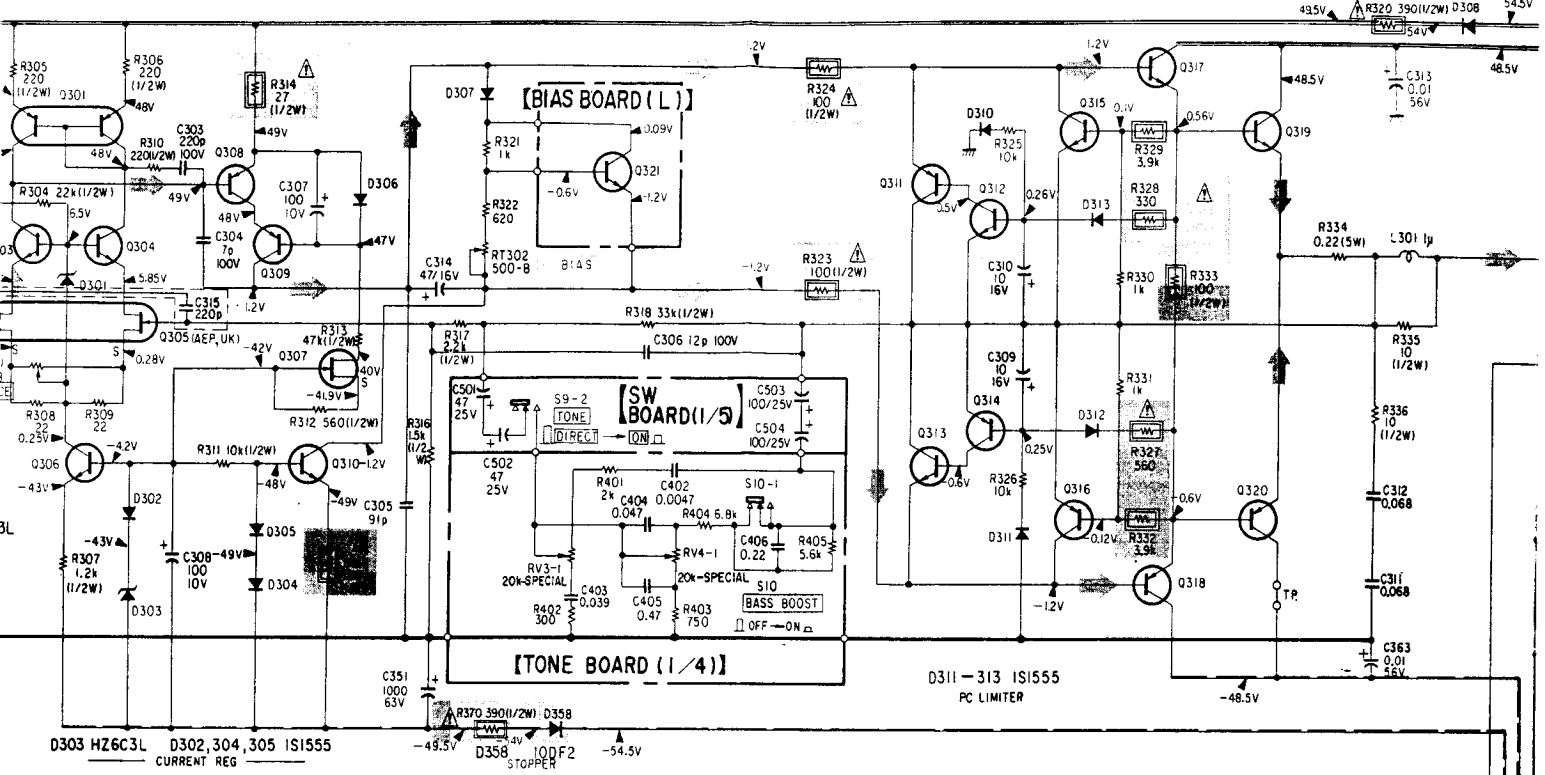
F

G

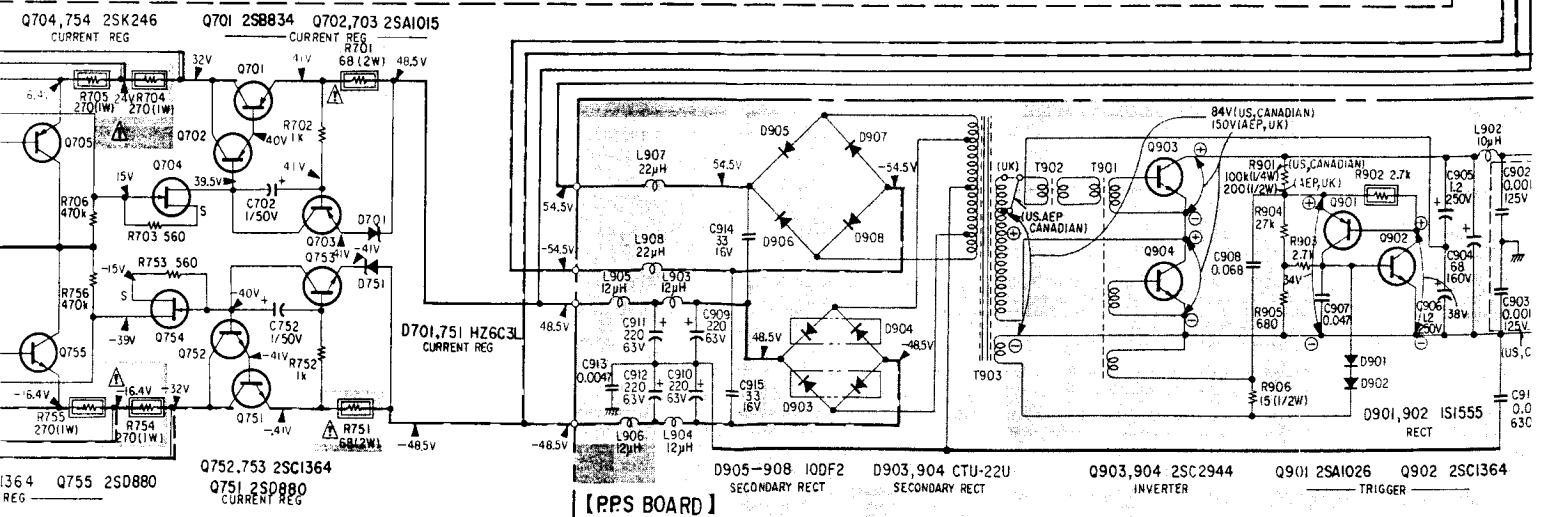
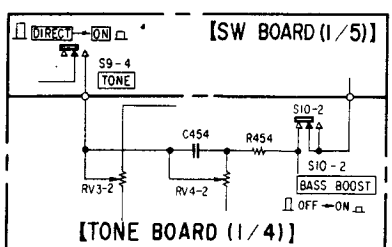
## [MAIN BOARD]

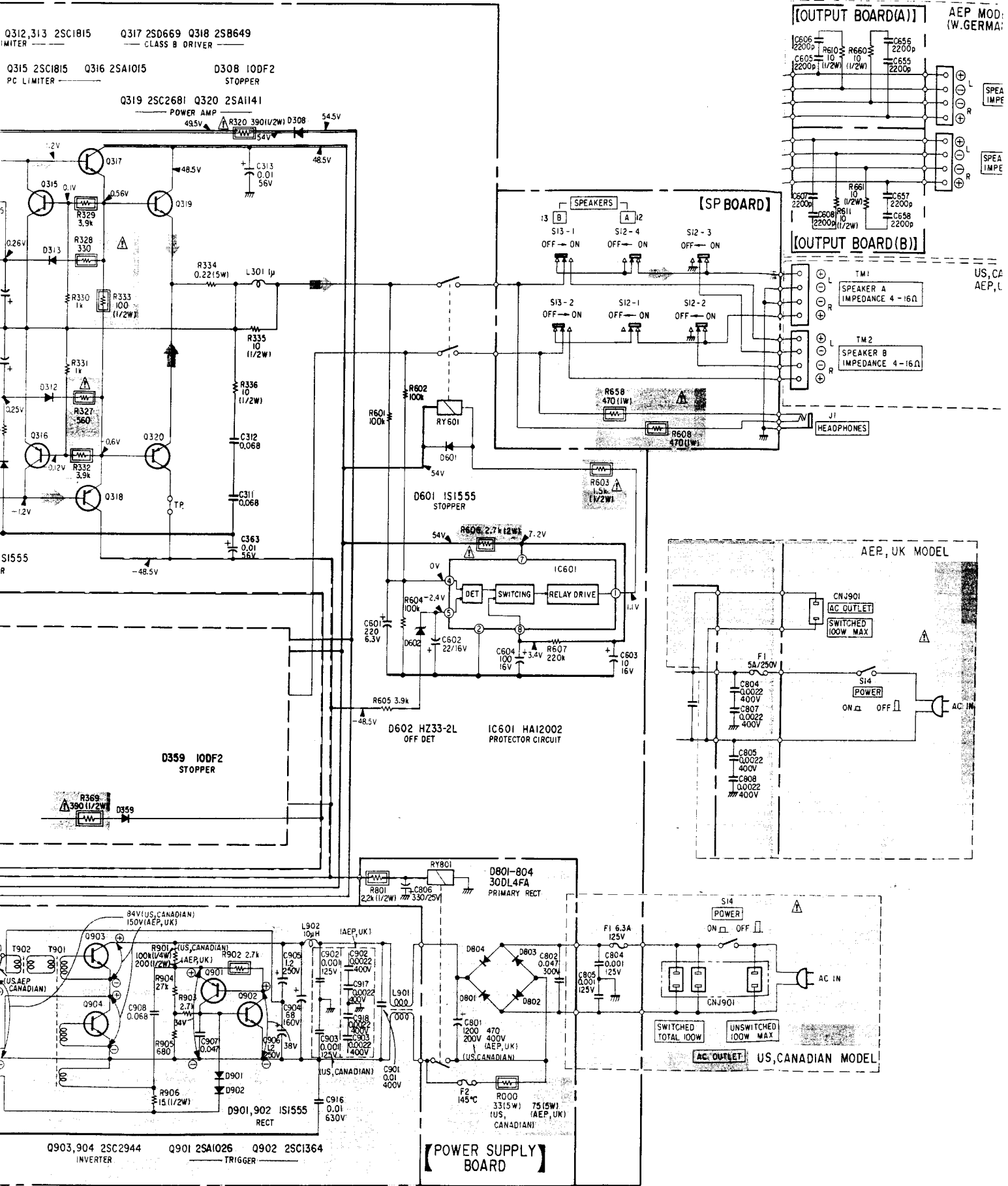


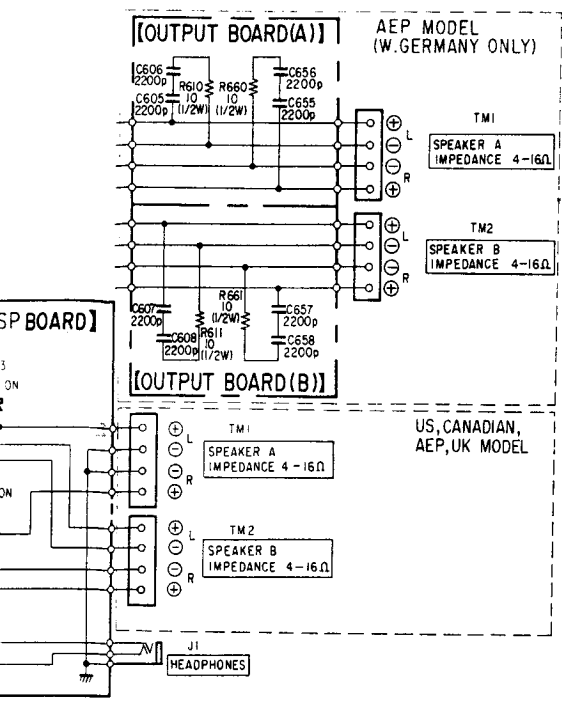
2SA995 NT MIRROR Q308 2SB648 CLASS A AMP Q307 2SK30A Q310 2SD668 CURRENT REG Q311 2SA1015 Q312,313 2SC1815 PC LIMITER Q317 2SD669 Q318 2SB649 CLASS B DRIVER  
 25C1364 DE Q309 2SB648 CASCODE Q314 2SA1015 Q315 2SC1815 PC LIMITER Q316 2SA1015 Q319 2SC2681 Q320 2SA1141 POWER AMP  
 25K150A AMP D306 MV-203V CASCODE D307 STV-2H TEMP COMP Q321 2SD809 TEMP COMP D310 IS1555 PC LIMITER D311-313 IS1555 PC LIMITER D308 10DF2 STOPPER



For Service Manuals Contact  
**MAURITRON TECHNICAL SERVICES**  
 8 Cherry Tree Rd, Chinnor  
 Oxon OX9 4QY  
 Tel: 01844-351694 Fax: 01844-352554  
 Email: enquiries@mauritron.co.uk

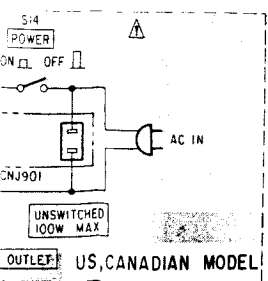
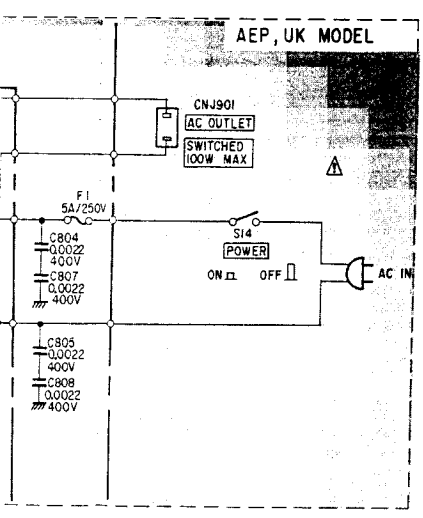






For Service Manuals Contact  
**MAURITRON TECHNICAL SERVICES**  
 8 Cherry Tree Rd, Chinnor  
 Oxon OX9 4QY  
 Tel:- 01844-351694 Fax:- 01844-352554  
 Email:- enquiries@mauritron.co.uk

- Note:**
- Components for right channel have same values as for left channel.
  - All capacitors are in  $\mu\text{F}$  unless otherwise noted.  $\text{pF}$ :  $\mu\mu\text{F}$   
 50WV or less are not indicated except for electrolytics and tantalums.
  - All resistors are in ohms,  $\frac{1}{4}\text{W}$  unless otherwise noted.  
 $\text{k}\Omega$  : 1000  $\Omega$ ,  $\text{M}\Omega$  : 1000  $\text{k}\Omega$
  - : nonflammable resistor.
  - : signal path
  - : adjustment for repair.
  - : B+ bus.
  - : B- bus.
  - Voltages are dc with respect to ground unless otherwise noted.
  - Readings are taken under no-signal conditions with a VOM (50  $\text{k}\Omega/\text{V}$ ).
  - Switches



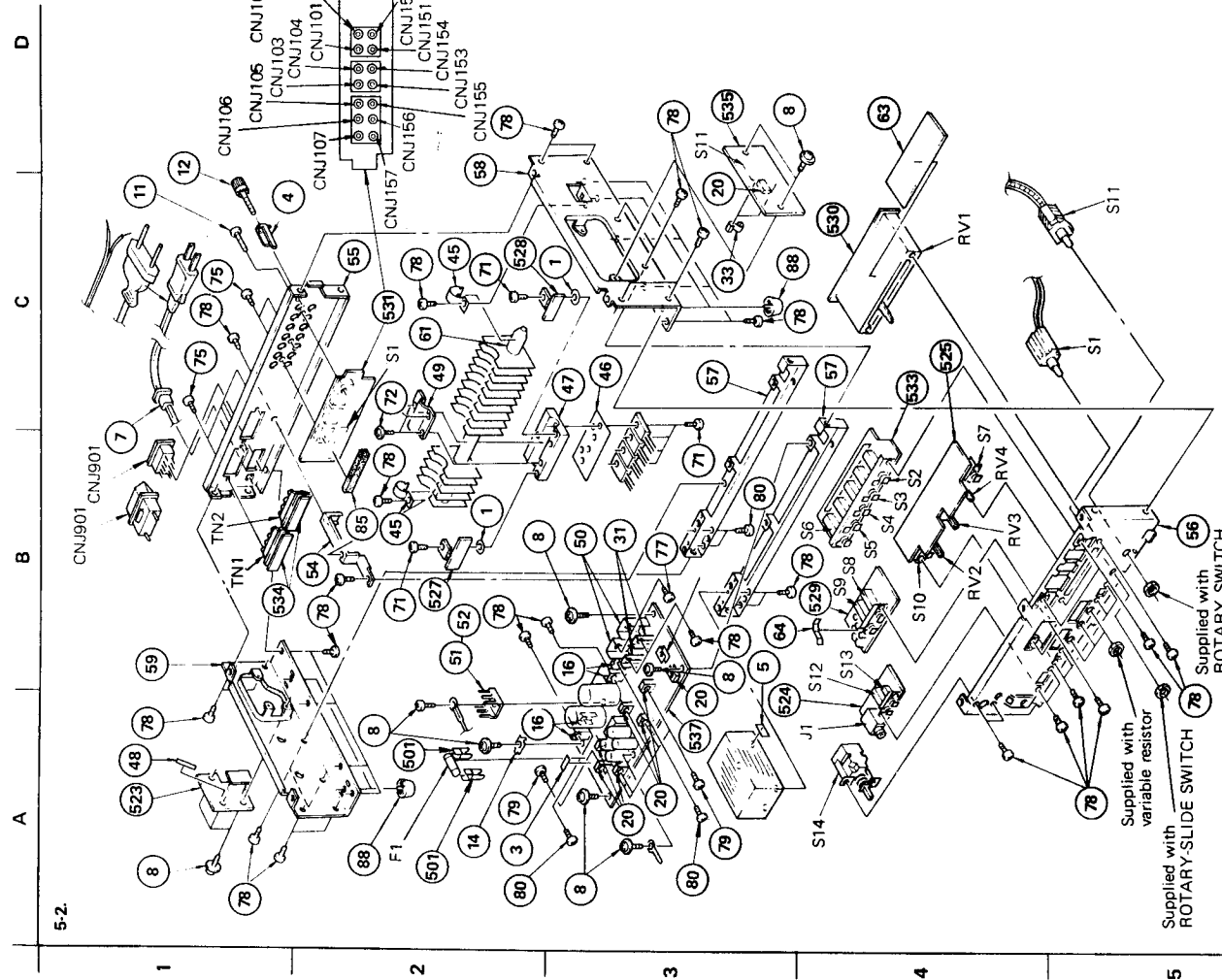
Ref. No.	Switch	Position
S1	REC OUT SELECTOR	PHONO
S2	PHONO	ON
S3	TUNER	OFF
S4	AUX	OFF
S5	TAPE 1	OFF
S6	TAPE 2	OFF
S7	SUBSONIC	OFF
S8	MUTING	OFF
S9	TONE	DIRECT
S10	BASS BOOST	OFF
S11	CARTRIDGE	MM
S12	SPEAKERS - A	ON
S13	SPEAKERS - B	OFF
S14	POWER	OFF

**Note:** The components identified by shading and mark are critical for safety. Replace only with part number specified.

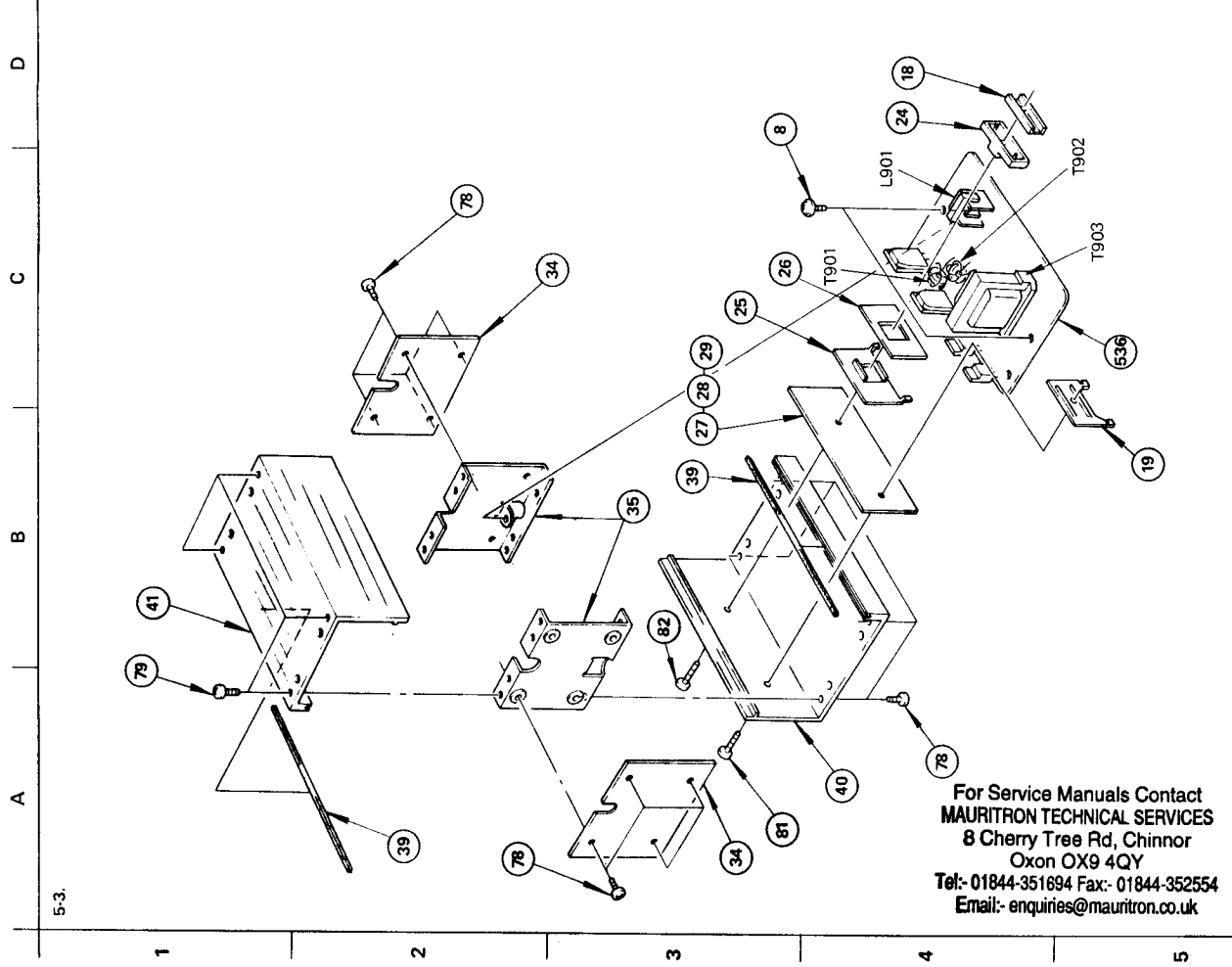
**Note:** Les composants identifiés par une trame et une marque sont critiques pour la sécurité. Ne les remplacer que par une pièce portant le numéro spécifié.



5-2.



5-3.



For Service Manuals Contact  
**MAURITRON TECHNICAL SERVICES**  
 8 Cherry Tree Rd, Chinnor  
 Oxon OX9 4QY  
 Tel:- 01844-351694 Fax:- 01844-352554  
 Email:- enquiries@mauritron.co.uk

## GENERAL SECTION

No.	Part No.	Description
1	3-572-365-01	SHEET (A), INSULATING
2	3-701-439-11	WASHER
3	♣;3-701-948-21	(AEP,UK)...LABEL, FUSE
4	3-701-993-00	SPACER, TERMINAL
5	3-703-044-25	LABEL, CAUTION
6	3-703-079-21	(US)...LABEL, CAUTION (BACK)
7	3-703-244-00	BUSHING, CORD
8	3-703-249-01	SCREW, S TIGHT, +PTTWH 3X6
9	.....	
10	3-703-354-11	SCREW (OS), CASE, CLAW
11	3-703-473-00	SCREW, TERMINAL
12	3-706-165-00	SCREW
13	4-812-134-11	RIVET, NYLON, 3.5
14	♣;4-835-639-00	PLATE, GROUND
15	4-848-642-00	CUSHION, VIBRATION
16	♣;4-861-002-21	HEAT SINK
17	4-861-045-00	LABEL, CAUTION
18	♣;4-862-237-00	BRACKET, INVERTER
19	♣;4-862-238-00	BRACKET, DIODE
20	♣;4-866-080-00	HEAT SINK
21	.....	
22	4-866-147-01	WASHER
23	4-866-147-11	(AEP,UK)...SPACER
24	♣;4-866-315-00	RETAINER, TRANSISTOR
25	♣;4-866-316-00	HEAT SINK
26	4-866-317-00	SARCON, TRANSISTOR
27	4-866-318-01	(AEP,UK)...SERCON, HEAT SINK, CHASSIS
28	4-866-318-11	(AEP,UK)...SERCON, HEAT SINK, CHASSIS
29	4-866-318-21	(US,Canadian)...SARCON, CHASSIS HEAT SINK
30	4-866-342-00	JOINT (B), KNOB
31	♣;4-866-647-00	HEAT SINK
32	4-866-652-00	SPRING, COMPRESSION
33	♣;4-866-654-00	HEAT SINK (S)
34	♣;4-873-701-00	LID, CASE
35	♣;4-873-702-00	BRACKET, CHASSIS
36	4-873-711-00	KNOB (A)
37	4-873-712-00	KNOB (B)
38	4-873-717-00	KNOB, PUSH
39	4-873-722-00	PLATE, SHIELD
40	♣;4-873-728-00	CASE (A)
41	♣;4-873-729-00	CASE (B)
42	4-873-735-11	PLATE, BACK
43	4-873-736-00	KNOB (DIA. 22)
44	4-873-744-21	LID, PANEL
45	♣;4-875-157-00	HOLDER, PIPE

## GENERAL SECTION

No.	Part No.	Description
46	4-875-404-00	SHEET (G), INSULATING
47	♣;4-875-411-00	BLOCK, TR
48	4-877-156-00	(Canadian)...LABEL
49	♣;4-880-402-00	SUPPORT, BLOCK
50	♣;4-880-403-00	HEAT SINK
51	♣;4-880-404-01	(Canadian,AEP,UK)...PLATE, GROUND
52	♣;4-880-404-11	(US)...PLATE, GROUND, CONCENTRATION
53	.....	
54	♣;4-880-405-00	RETAINER
55	♣;4-880-406-11	(Canadian,US)...PLATE, JACK
55	♣;4-880-420-00	(AEP)...PLATE, JACK
55	♣;4-880-421-00	(UK)...PLATE, JACK
56	♣;4-880-407-00	CHASSIS, SUB
57	♣;4-880-408-00	CHASSIS, CENTER
58	♣;4-880-409-00	PLATE, SIDE, RIGHT
59	♣;4-880-410-00	PLATE, SIDE, LEFT
60	♣;4-880-411-00	PLATE, BOTTOM
61	♣;4-880-413-00	PIPE, HEAT
62	4-880-414-00	CASE
63	4-880-415-00	INSULATOR
64	♣;4-880-417-00	PLATE, SHIELD
65	4-880-422-00	(US)...LABEL, MODEL NUMBER
66	4-880-423-00	(Canadian)...LABEL, MODEL NUMBER
67	4-880-424-00	(AEP)...LABEL, MODEL NUMBER
68	4-880-425-00	(UK)...LABEL, MODEL NUMBER
69	4-880-426-00	SPRING, COMPRESSION
70	7-624-105-04	STOP RING 2.3, TYPE-E
71	7-682-548-09	SCREW +B 3X8
72	7-682-947-01	SCREW +PSW 3X6
73	7-685-534-24	SCREW +P 2.6X8 TYPE2 NON-SLIT
74	7-685-646-11	SCREW +BVTP 3X8 TYPE2 N-S
75	7-685-646-11	SCREW +BVTP 3X8 TYPE2 N-S
76	7-685-647-11	SCREW +BVTP 3X10 TYPE2 N-S
77	7-685-870-04	SCREW +BVTT 3X5 (S)
78	7-685-871-01	SCREW +BVTT 3X6 (S)
79	7-685-872-01	SCREW +BVTT 3X8 (S)
80	7-685-873-01	SCREW +BVTT 3X10 (S)
81	7-685-875-01	SCREW +BVTT 3X14 (S)
82	7-685-876-01	SCREW +BVTT 3X16 (S)
83	9-911-839-XX	SHEET
84	9-911-840-XX	CUSHION (A)
85	9-911-841-XX	CUSHION, PIN JACK
86	9-911-863-XX	SPACER (A)

### NOTE:

- Items with no part number and no description are not stocked because they are seldom required for routine service.
- Items marked "♣" are not stocked since they are seldom required for routine service. Some delay should be anticipated when ordering these items.
- Due to standardization, parts with part numbers (Δ-ΔΔΔ-ΔΔΔ-XX or Δ-ΔΔΔΔ-ΔΔΔ-X) may be different from those used in the set.

### SEMICONDUCTORS

In each case, U : μ, for example:  
 UA...: μA...; UPA...: μPA...; UPC...: μPC,  
 UPD...: μPD...

### CAPACITORS:

- All capacitors are in μF. Common capacitors are omitted. Refer to the following lists for their part numbers.  
 MF: μF, PF: μμF.

### RESISTORS

- All resistors are in ohms. Common 1/4W, 1/8W and 1/16W carbon resistors are omitted. Refer to the following lists for their part numbers.

- F : nonflammable

### COILS

- MMH : mH, UH : μH

The components identified by shading and mark **♣** are critical for safety. Replace only with part number specified.

Les composants identifiés par une trame et une marque **♣** sont critiques pour la sécurité. Ne les remplacer que par une pièce portant le numéro spécifié.

GENERAL SECTION

No.	Part No.	Description
87	A-4322-412-A	PANEL ASSY
88	X-4864-303-0	FOOT ASSY
89	X-4873-701-0	KNOB ASSY, POWER
90	X-4873-702-0	KNOB ASSY, PHONO
91	X-4873-703-0	KNOB ASSY, TUNER
92	X-4873-704-0	KNOB ASSY, AUX
93	X-4873-705-0	KNOB ASSY, TAPE 1
94	X-4873-706-0	KNOB ASSY, TAPE 2
95	X-4873-707-0	KNOB ASSY, CONTROL

ACCESSORY & PACKING MATERIAL

No.	Part No.	Description
101	3-701-630-00	BAG, POLYETHYLENE
102	3-783-788-11	(AEP,UK).....MANUAL, INSTRUCTION
102	3-783-788-21	(US,Canadian)...MANUAL, INSTRUCTION
103	4-858-078-00	SHEET, PROTECTION
104	4-873-608-00	CUSHION
105	4-880-025-00	SHEET, PROTECTION, PANEL
106	4-880-427-00	CARTON
107	4-880-428-00	CUSHION, UPPER

ELECTRICAL PARTS

Ref.No.	Part No.	Description
501	1-517-072-00	(US,Canadian)...LAMP HOLDER
501	1-533-131-00	(AEP,UK).....LAMP HOLDER
502	♣;1-535-115-00	TERMINAL
503	♣;1-535-115-00	TERMINAL
504	♣;1-535-117-00	TERMINAL
505	♣;1-535-118-00	TERMINAL
506	♣;1-535-139-00	BASE POST 19MM (10MM PITCH)
507	♣;1-535-140-00	BASE POST 19MM (10MM PITCH) 3P
508	♣;1-535-149-11	WIRE (30.0MM)
509	♣;1-551-884-00	(UK).....CORD, POWER
509	♣;1-555-701-00	(US,Canadian)...CORD, POWER
509	♣;1-555-795-00	(AEP).....CORD, POWER
510	♣;1-560-060-00	PIN, CONNECTOR 2P
511	♣;1-560-061-00	(US)...PIN, CONNECTOR 3P
512	♣;1-560-061-00	PIN, CONNECTOR 3P
513	♣;1-560-602-00	PIN, CONNECTOR 3P
514	♣;1-560-602-00	PIN, CONNECTOR 3P
515	♣;1-560-604-00	PIN, CONNECTOR 5P
516	♣;1-560-604-00	PIN, CONNECTOR 5P
517	♣;1-560-604-00	PIN, CONNECTOR 5P
518	♣;1-560-605-00	PIN, CONNECTOR 6P
519	♣;1-560-605-00	PIN, CONNECTOR 6P
520	♣;1-561-296-00	SOCKET, CONNECTOR 3P
521	♣;1-561-350-00	SOCKET, CONNECTOR 4P
522	♣;1-561-350-00	SOCKET, CONNECTOR 4P
523	♣;1-606-887-00	PC BOARD, P.S
524	♣;1-606-889-00	PC BOARD, SP
525	♣;1-606-890-00	PC BOARD, TONE
526	♣;1-606-891-00	PC BOARD, LAMP (A)
527	♣;1-606-892-00	PC BOARD, BIAS (L)
528	♣;1-606-893-00	PC BOARD, BIAS (R)
529	♣;1-606-894-00	PC BOARD, SW
530	♣;1-606-895-00	PC BOARD, VR
531	♣;1-606-897-00	PC BOARD, INPUT
532	♣;1-606-898-00	PC BOARD, LAMP (B)
533	♣;1-606-899-00	PC BOARD, FUNCTION
534	♣;1-607-763-00	(AEP).....PC BOARD, OUTPUT
535	♣;A-4358-104-A	(US,Canadian,UK)...MOUNTED PCB, EQUALIZER AMP
535	♣;A-4358-107-A	(AEP).....MOUNTED PCB, EQUALIZER AMP
536	♣;A-4394-283-A	(US,Canadian)...MOUNTED PCB, PPS
536	♣;A-4394-287-A	(AEP,UK).....MOUNTED PCB, PPS
537	♣;A-4409-641-A	(US).....MOUNTED PCB, MAIN
537	♣;A-4409-642-A	(Canadian).....MOUNTED PCB, MAIN
537	♣;A-4409-647-A	(AEP).....MOUNTED PCB, MAIN
537	♣;A-4409-648-A	(UK).....MOUNTED PCB, MAIN

NOTE:

- Items with no part number and no description are not stocked because they are seldom required for routine service.
- Items marked "♣" are not stocked since they are seldom required for routine service. Some delay should be anticipated when ordering these items.
- Due to standardization, parts with part numbers (Δ-ΔΔΔ-ΔΔΔ-XX or Δ-ΔΔΔΔ-ΔΔΔ-X) may be different from those used in the set.

SEMICONDUCTORS

In each case, U : μ, for example:  
 UA...: μA...; UPA...: μPA...; UPC...: μPC...  
 UPD...: μPD...

CAPACITORS:

All capacitors are in μF. Common capacitors are omitted. Refer to the following lists for their part numbers.  
 MF: μF, PF: μμF.

RESISTORS

All resistors are in ohms. Common 1/4W, 1/8W and 1/16W carbon resistors are omitted. Refer to the following lists for their part numbers.

F : nonflammable

COILS

MMH : mH, UH : μH

The components identified by shading and mark ♣ are critical for safety. Replace only with part number specified.

Les composants identifiés par une trame et une marque ♣ sont critiques pour la sécurité. Ne les remplacer que par une pièce portant le numéro spécifié.

For Service Manuals Contact  
**MAURITRON TECHNICAL SERVICES**  
 8 Cherry Tree Rd, Chinnor  
 Oxon OX9 4QY  
 Tel: 01844-351694 Fax: 01844-352554  
 Email: enquiries@mauritron.co.uk



ELECTRICAL PARTS

ELECTRICAL PARTS

Ref.No.	Part No.	Description			
C101	1-107-300-00	MICA	100PF	5%	100V
C103	1-107-308-00	MICA	220PF	5%	100V
C105	1-104-141-00	POLYSTYRENE	0.016MF	1%	125V
C106	1-104-142-00	POLYSTYRENE	0.056MF	1%	125V
C107	1-123-829-00	ELECT	2.2MF	20%	50V
C151	1-107-300-00	MICA	100PF	5%	100V
C153	1-107-308-00	MICA	220PF	5%	100V
C155	1-104-141-00	POLYSTYRENE	0.016MF	1%	125V
C156	1-104-142-00	POLYSTYRENE	0.056MF	1%	125V
C157	1-123-829-00	ELECT	2.2MF	20%	50V
C202	1-123-828-00	ELECT	1MF	20%	50V
C203	1-123-829-00	ELECT	2.2MF	20%	50V
C252	1-123-828-00	ELECT	1MF	20%	50V
C253	1-123-829-00	ELECT	2.2MF	20%	50V
C303	1-107-308-00	MICA	220PF	5%	100V
C306	1-107-280-00	MICA	12PF	5%	100V
C311	1-130-630-00	FILM	0.068MF	5%	50V
C312	1-130-630-00	FILM	0.068MF	5%	50V
C313	1-125-283-00	ELECT(BLOCK)	10000MF	20%	56V
C353	1-107-308-00	MICA	220PF	5%	100V
C356	1-107-280-00	MICA	12PF	5%	100V
C361	1-130-630-00	FILM	0.068MF	5%	50V
C362	1-130-630-00	FILM	0.068MF	5%	50V
C363	1-125-283-00	ELECT(BLOCK)	10000MF	20%	56V
C401	1-130-636-00	FILM	0.22MF	5%	50V
C402	1-108-234-00	MYLAR	0.0047MF	10%	50V
C403	1-130-627-00	FILM	0.039MF	5%	50V
C404	1-130-628-00	FILM	0.047MF	5%	50V
C406	1-130-636-00	FILM	0.22MF	5%	50V
C451	1-130-636-00	FILM	0.22MF	5%	50V
C452	1-108-234-00	MYLAR	0.0047MF	10%	50V
C453	1-130-627-00	FILM	0.039MF	5%	50V
C454	1-130-628-00	FILM	0.047MF	5%	50V
C456	1-130-636-00	FILM	0.22MF	5%	50V
C801	1-124-056-00	(US,Canadian)..ELECT	1200MF	20%	200V
C801	1-125-305-00	(AEP,UK).....ELECT	470MF	20%	400V
C802	1-130-841-00	(US,Canadian)..FILM	0.047MF	20%	125V
C802	1-130-701-00	(AEP,UK).....FILM	0.047MF	20%	300V
C804	1-161-746-00	(US,Canadian)..CERAMIC	0.001MF	10%	125V
C804	1-161-734-00	(AEP,UK).....CERAMIC	2200PF	20%	400V
C805	1-161-746-00	(US,Canadian)..CERAMIC	0.001MF	10%	125V
C805	1-161-734-00	(AEP,UK).....CERAMIC	2200PF	20%	400V
C806	1-123-335-00	ELECT	330MF	20%	25V
C807	1-161-734-00	(AEP,UK).....CERAMIC	2200PF	20%	400V
C808	1-161-734-00	(AEP,UK).....CERAMIC	2200PF	20%	400V
C901	1-130-141-00	MYLAR	0.01MF	20%	630V

Ref.No.	Part No.	Description			
C902	1-161-746-00	(US,Canadian)..CERAMIC	0.001MF	10%	125V
C902	1-161-734-00	(AEP,UK).....CERAMIC	2200PF	20%	400V
C903	1-161-746-00	(US,Canadian)..CERAMIC	0.001MF	10%	125V
C903	1-161-734-00	(AEP,UK).....CERAMIC	2200PF	20%	400V
C904	1-123-401-00	(US,Canadian)..ELECT	47MF	20%	200V
C904	1-123-402-00	(AEP,UK).....ELECT	22MF	20%	400V
C905	1-123-536-00	(US,Canadian)..ELECT	4.7MF	20%	160V
C905	1-130-358-00	(AEP,UK).....ELECT	1.2MF	20%	250V
C906	1-123-536-00	(US,Canadian)..ELECT	4.7MF	20%	160V
C906	1-130-358-00	(AEP,UK).....ELECT	1.2MF	20%	250V
C907	1-108-246-00	MYLAR	0.047MF	10%	50V
C908	1-108-249-00	MYLAR	0.068MF	10%	50V
C909	1-123-264-00	ELECT	220MF		63V
C910	1-123-264-00	ELECT	220MF		63V
C911	1-123-523-00	ELECT	220MF	20%	63V
C912	1-123-523-00	ELECT	220MF	20%	63V
C913	1-108-234-00	MYLAR	0.0047MF	10%	50V
C914	1-123-343-00	ELECT	33MF	20%	16V
C915	1-123-343-00	ELECT	33MF	20%	16V
C916	1-130-141-00	MYLAR	0.01MF	20%	630V
C917	1-161-734-00	(AEP,UK).....CERAMIC	2200PF	20%	400V
C918	1-161-734-00	(AEP,UK).....CERAMIC	2200PF	20%	400V
CNJ101	1-507-740-00	JACK, PIN 4P			
CNJ102	1-507-740-00	JACK, PIN 4P			
CNJ103	1-507-740-00	JACK, PIN 4P			
CNJ104	1-507-740-00	JACK, PIN 4P			
CNJ105	1-507-741-00	JACK, PIN 6P			
CNJ106	1-507-741-00	JACK, PIN 6P			
CNJ107	1-507-741-00	JACK, PIN 6P			
CNJ151	1-507-740-00	JACK, PIN 4P			
CNJ152	1-507-740-00	JACK, PIN 4P			
CNJ153	1-507-740-00	JACK, PIN 4P			
CNJ154	1-507-740-00	JACK, PIN 4P			
CNJ155	1-507-741-00	JACK, PIN 6P			
CNJ156	1-507-741-00	JACK, PIN 6P			
CNJ157	1-507-741-00	JACK, PIN 6P			
ACNJ901	1-526-574-00	(US,Canadian)..001MF			(1 GANG)
ACNJ901	1-526-697-00	(AEP,UK).....001MF			
D201	8-719-815-55	DIODE 1S1555			
D251	8-719-815-55	DIODE 1S1555			
D301	8-719-910-69	DIODE HZ6C3L			
D302	8-719-815-55	DIODE 1S1555			
D303	8-719-910-69	DIODE HZ6C3L			
D304	8-719-815-55	DIODE 1S1555			

NOTE:

- Items with no part number and no description are not stocked because they are seldom required for routine service.
- Items marked "▲" are not stocked since they are seldom required for routine service. Some delay should be anticipated when ordering these items.
- Due to standardization, parts with part numbers (Δ-ΔΔΔ-ΔΔΔ-XX or Δ-ΔΔΔΔ-ΔΔΔ-X) may be different from those used in the set.

SEMICONDUCTORS

In each case, U : μ, for example:  
 UA...: μA... , UPA...: μPA... , UPC...: μPC...  
 UPD...: μPD...

CAPACITORS:

- All capacitors are in μF. Common capacitors are omitted. Refer to the following lists for their part numbers. MF: μF, PF: μμF.

RESISTORS

- All resistors are in ohms. Common 1/4W, 1/8W and 1/16W carbon resistors are omitted. Refer to the following lists for their part numbers.
- F : nonflammable

COILS

- MMH : mH, UH : μH

The components identified by shading and mark ▲ are critical for safety. Replace only with part number specified.

Les composants identifiés par une trame et une marque ▲ sont critiques pour la sécurité. Ne les remplacer que par une pièce portant le numéro spécifié.

ELECTRICAL PARTS

Ref.No.	Part No.	Description
D305	8-719-815-55	DIODE 1S1555
D306	8-719-920-30	DIODE MV203V
D307	8-719-300-28	DIODE STV-2H
D308	8-719-210-00	DIODE 10DF2
D309	8-719-210-00	DIODE 10DF2
D310	8-719-815-55	DIODE 1S1555
D311	8-719-815-55	DIODE 1S1555
D312	8-719-815-55	DIODE 1S1555
D313	8-719-815-55	DIODE 1S1555
D351	8-719-910-69	DIODE HZ6C3L
D352	8-719-815-55	DIODE 1S1555
D353	8-719-910-69	DIODE HZ6C3L
D354	8-719-815-55	DIODE 1S1555
D355	8-719-815-55	DIODE 1S1555
D356	8-719-920-30	DIODE MV-203C
D357	8-719-300-28	DIODE STV-2H
D358	8-719-210-12	DIODE 10DF2
D359	8-719-210-12	DIODE 10DF2
D360	8-719-815-55	DIODE 1S1555
D361	8-719-815-55	DIODE 1S1555
D362	8-719-815-55	DIODE 1S1555
D363	8-719-815-55	DIODE 1S1555
D601	8-719-815-55	DIODE 1S1555
D602	8-719-913-32	DIODE HZ33-2L
D701	8-719-910-69	DIODE HZ6C3L
D702	8-719-910-69	DIODE HZ6C3L
D751	8-719-910-69	DIODE HZ6C3L
D752	8-719-910-69	DIODE HZ6C3L
D801	8-719-230-24	DIODE 30DL4FA
D802	8-719-230-24	DIODE 30DL4FA
D803	8-719-230-24	DIODE 30DL4FA
D804	8-719-230-24	DIODE 30DL4FA
D901	8-719-815-55	DIODE 1S1555
D902	8-719-815-55	DIODE 1S1555
D903	8-719-300-22	DIODE CTU-22U
D904	8-719-300-22	DIODE CTU-22U
D905	8-719-210-12	DIODE 10DF2
D906	8-719-210-12	DIODE 10DF2
D907	8-719-210-12	DIODE 10DF2
D908	8-719-210-12	DIODE 10DF2
F1	1-532-299-00	(AEP,UK).....FUSE, TIME-LAG 5A
F1	1-532-509-00	(Canadian,US)....FUSE, GLASS TUBE 6.3A
F2	1-532-556-00	FUSE, TEMPERATURE
I81	1-232-053-00	COMPOSITION CIRCUIT BLOCK

For Service Manuals Contact  
**MAURITRON TECHNICAL SERVICES**  
 8 Cherry Tree Rd, Chinnor  
 Oxon OX9 4QY  
 Tel: 01844-351694 Fax: 01844-352554  
 Email: enquiries@mauritron.co.uk

ELECTRICAL PARTS

Ref.No.	Part No.	Description
IC101	8-759-900-72	IC NE5532N
IC201	8-759-900-72	IC NE5532N
IC202	8-759-990-82	IC TL082CP
IC251	8-759-900-72	IC NE5532N
IC601	8-759-320-02	IC HA12002
J1	1-507-669-00	JACK, HEADPHONES
L01	1-413-101-00	(AEP)...COIL, INPUT
L02	1-413-101-00	(AEP)...COIL, INPUT
L51	1-413-101-00	(AEP)...COIL, INPUT
L52	1-413-101-00	(AEP)...COIL, INPUT
L301	1-422-031-00	COIL, AIRCORE
L351	1-422-031-00	COIL, AIRCORE
L901	1-421-259-00	(US,Canadian)...COIL, LINE FILTER
L901	1-421-479-00	(AEP,UK).....FILTER, LINE
L902	1-421-370-00	COIL, CHOKE
L903	1-421-370-00	COIL, CHOKE
L904	1-421-370-00	COIL, CHOKE
L905	1-421-370-00	COIL, CHOKE
L906	1-421-370-00	COIL, CHOKE
L907	1-407-161-XX	MICRO INDUCTOR 22UH
L908	1-407-161-XX	MICRO INDUCTOR 22UH
PL01	1-518-453-00	LAMP, PILOT
PL02	1-518-453-00	LAMP, PILOT
PL03	1-518-453-00	LAMP, PILOT
PL04	1-518-453-00	LAMP, PILOT
PL05	1-518-453-00	LAMP, PILOT
PL06	1-518-453-00	LAMP, PILOT
PL07	1-518-453-00	LAMP, PILOT
PL08	1-518-453-00	LAMP, PILOT
PL09	1-518-453-00	LAMP, PILOT
PL10	1-518-453-00	LAMP, PILOT
PL11	1-518-453-00	LAMP, PILOT
PL12	1-518-453-00	LAMP, PILOT
Q101	8-729-217-03	TRANSISTOR 2SK170
Q102	8-729-217-03	TRANSISTOR 2SK170
Q103	8-729-663-47	TRANSISTOR 2SC1364
Q104	8-729-663-47	TRANSISTOR 2SC1364
Q151	8-729-217-03	TRANSISTOR 2SK170
Q152	8-729-217-03	TRANSISTOR 2SK170
Q153	8-729-663-47	TRANSISTOR 2SC1364
Q154	8-729-663-47	TRANSISTOR 2SC1364
Q301	8-729-699-51	TRANSISTOR 2SA995
Q302	8-729-203-05	TRANSISTOR 2SK30A
Q303	8-729-663-47	TRANSISTOR 2SC1364
Q304	8-729-663-47	TRANSISTOR 2SC1364

NOTE:

- Items with no part number and no description are not stocked because they are seldom required for routine service.
- Items marked "▲" are not stocked since they are seldom required for routine service. Some delay should be anticipated when ordering these items.
- Due to standardization, parts with part numbers (Δ-ΔΔΔ-ΔΔΔ-XX or Δ-ΔΔΔΔ-ΔΔΔ-X) may be different from those used in the set.

SEMICONDUCTORS

In each case, U : μ, for example:  
 UA...: μA...; UPA...: μPA...; UPC...: μPC;  
 UPD...: μPD...

CAPACITORS:

All capacitors are in μF. Common capacitors are omitted. Refer to the following lists for their part numbers.  
 MF: μF, PF: μμF.

RESISTORS

All resistors are in ohms. Common 1/4W, 1/8W and 1/16W carbon resistors are omitted. Refer to the following lists for their part numbers.

F : nonflammable

COILS

MMH : mH, UH : μH

The components identified by shading and mark ▲ are critical for safety. Replace only with part number specified.

Les composants identifiés par une trame et une marque ▲ sont critiques pour la sécurité. Ne les remplacer que par une pièce portant le numéro spécifié.

ELECTRICAL PARTS

Ref.No.	Part No.	Description
Q305	8-729-215-12	TRANSISTOR 2SK150A
Q306	8-729-300-62	TRANSISTOR 2SD666A
Q307	8-729-203-05	TRANSISTOR 2SK30A
Q308	8-729-364-81	TRANSISTOR 2SB648
Q309	8-729-364-81	TRANSISTOR 2SB648
Q310	8-729-366-81	TRANSISTOR 2SD668
Q311	8-729-201-52	TRANSISTOR 2SA1015
Q312	8-729-663-47	TRANSISTOR 2SC1364
Q313	8-729-663-47	TRANSISTOR 2SC1364
Q314	8-729-201-52	TRANSISTOR 2SA1015
Q315	8-729-663-47	TRANSISTOR 2SC1364
Q316	8-729-201-52	TRANSISTOR 2SA1015
Q317	8-729-306-92	TRANSISTOR 2SD669
Q318	8-729-304-92	TRANSISTOR 2SB649
Q319	8-729-168-11	TRANSISTOR 2SC2681
Q320	8-729-114-11	TRANSISTOR 2SA1141
Q321	8-729-180-93	TRANSISTOR 2SD809
Q351	8-729-699-51	TRANSISTOR 2SA995
Q352	8-729-203-05	TRANSISTOR 2SK30A
Q353	8-729-663-47	TRANSISTOR 2SC1364
Q354	8-729-663-47	TRANSISTOR 2SC1364
Q355	8-729-215-12	TRANSISTOR 2SK150A
Q356	8-729-300-62	TRANSISTOR 2SD666A
Q357	8-729-203-05	TRANSISTOR 2SK30A
Q358	8-729-364-81	TRANSISTOR 2SB648
Q359	8-729-364-81	TRANSISTOR 2SB648
Q360	8-729-366-81	TRANSISTOR 2SD668
Q361	8-729-201-52	TRANSISTOR 2SA1015
Q362	8-729-663-47	TRANSISTOR 2SC1364
Q363	8-729-663-47	TRANSISTOR 2SC1364
Q364	8-729-201-52	TRANSISTOR 2SA1015
Q365	8-729-663-47	TRANSISTOR 2SC1364
Q366	8-729-201-52	TRANSISTOR 2SA1015
Q367	8-729-306-92	TRANSISTOR 2SD669
Q368	8-729-304-92	TRANSISTOR 2SB649
Q369	8-729-168-11	TRANSISTOR 2SC2681
Q370	8-729-114-11	TRANSISTOR 2SA1141
Q371	8-729-180-93	TRANSISTOR 2SD809
Q701	8-729-283-42	TRANSISTOR 2SB834
Q702	8-729-201-52	TRANSISTOR 2SA1015
Q703	8-729-201-52	TRANSISTOR 2SA1015
Q704	8-729-224-61	TRANSISTOR 2SK246
Q705	8-729-283-42	TRANSISTOR 2SB834
Q707	8-729-201-52	TRANSISTOR 2SA1015
Q708	8-729-663-47	TRANSISTOR 2SC1364

ELECTRICAL PARTS

Ref.No.	Part No.	Description				
Q751	8-729-288-02	TRANSISTOR 2SD880				
Q752	8-729-663-47	TRANSISTOR 2SC1364				
Q753	8-729-663-47	TRANSISTOR 2SC1364				
Q754	8-729-224-61	TRANSISTOR 2SK246				
Q755	8-729-288-02	TRANSISTOR 2SD880				
Q757	8-729-663-47	TRANSISTOR 2SC1364				
Q758	8-729-201-52	TRANSISTOR 2SA1015				
Q901	△.8-729-663-47	TRANSISTOR 2SA1364				
Q902	△.8-729-612-77	TRANSISTOR 2SA1027R				
Q903	△.X-4873-603-1	(US,Canadian)...TRANSISTOR	2SC2944			
Q904						
Q903	△.X-4873-604-1	(AEP,UK).....TRANSISTOR	2SC2625			
Q904						
R08	△.1-213-131-00	METAL	100	5%	1W	F
R000	△.1-205-598-00	(US,Canadian)..CEMENT-COATED	33	10%	5W	
R000	△.1-205-599-00	(AEP,UK).....CEMENT-COATED	33	10%	5W	
R106	1-214-840-00	METAL	100	1%	1/2W	
R114	1-214-880-00	METAL	4.7K	1%	1/2W	
R156	1-214-840-00	METAL	100	1%	1/2W	
R164	1-214-880-00	METAL	4.7K	1%	1/2W	
R203	1-214-721-00	METAL	470	1%	1/4W	
R204	1-214-733-00	METAL	1.5K	1%	1/4W	
R205	1-214-727-00	METAL	820	1%	1/4W	
R206	1-214-727-00	METAL	820	1%	1/4W	
R207	1-214-733-00	METAL	1.5K	1%	1/4W	
R253	1-214-721-00	METAL	470	1%	1/4W	
R254	1-214-733-00	METAL	1.5K	1%	1/4W	
R255	1-214-727-00	METAL	820	1%	1/4W	
R256	1-214-727-00	METAL	820	1%	1/4W	
R257	1-214-733-00	METAL	1.5K	1%	1/4W	
R314	△.1-247-202-00	CARBON	27	5%	1/2W	F
R315	△.1-247-212-00	CARBON	68	5%	1/2W	F
R316	1-214-868-00	METAL	1.5K	1%	1/2W	
R317	1-214-872-00	METAL	2.2K	1%	1/2W	
R319	△.1-247-230-00	CARBON	390	5%	1/2W	F
R320	△.1-247-230-00	CARBON	390	5%	1/2W	F
R323	△.1-247-216-00	CARBON	100	5%	1/2W	F
R324	△.1-247-216-00	CARBON	100	5%	1/2W	F
R327	△.1-247-125-00	CARBON	560	5%	1/4W	F
R328	△.1-247-119-00	CARBON	330	5%	1/4W	F
R329	△.1-247-145-00	CARBON	3.9K	5%	1/4W	F
R330	△.1-247-131-00	CARBON	1K	5%	1/4W	F
R331	△.1-247-131-00	CARBON	1K	5%	1/4W	F
R332	△.1-247-145-00	CARBON	3.9K	5%	1/4W	F
R333	△.1-247-216-00	CARBON	100	5%	1/2W	F
R334	1-205-647-00	CEMENT-COATED	0.22	5%	5W	

NOTE:

- Items with no part number and no description are not stocked because they are seldom required for routine service.
- Items marked "△" are not stocked since they are seldom required for routine service. Some delay should be anticipated when ordering these items.
- Due to standardization, parts with part numbers (△-△△△-△△△-XX or △-△△△△-△△△-X) may be different from those used in the set.

SEMICONDUCTORS

In each case, U : μ, for example:  
 UA...: μA..., UPA...: μPA..., UPC...: μPC,  
 UPD...: μPD...

CAPACITORS:

- All capacitors are in μF. Common capacitors are omitted. Refer to the following lists for their part numbers. MF: μF, PF: μμF.

RESISTORS

- All resistors are in ohms. Common 1/4W, 1/8W and 1/16W carbon resistors are omitted. Refer to the following lists for their part numbers.
- F : nonflammable

COILS

- MMH : mH, UH : μH

The components identified by shading and mark △ are critical for safety. Replace only with part number specified.

Les composants identifiés par une trame et une marque △ sont critiques pour la sécurité. Ne les remplacer que par une pièce portant le numéro spécifié.

ELECTRICAL PARTS

Ref.No.	Part No.	Description				
R364	△.1-247-202-00	CARBON			1/2W	F
R365	△.1-247-212-00	CARBON			1/2W	F
R366	1-214-868-00	METAL	1.5K	1%	1/2W	
R367	1-214-872-00	METAL	2.2K	1%	1/2W	
R369	△.1-247-230-00	CARBON	390	5%	1/2W	F
R370	△.1-247-230-00	CARBON	390	5%	1/2W	F
R373	△.1-247-216-00	CARBON	100	5%	1/2W	F
R374	△.1-247-216-00	CARBON	100	5%	1/2W	F
R377	△.1-247-125-00	CARBON	560	5%	1/4W	F
R378	△.1-247-119-00	CARBON	330	5%	1/4W	F
R379	△.1-247-145-00	CARBON	3.9K	5%	1/4W	F
R380	△.1-247-131-00	CARBON	1K	5%	1/4W	F
R381	△.1-247-131-00	CARBON	1K	5%	1/4W	F
R382	△.1-247-145-00	CARBON	3.9K	5%	1/4W	F
R383	△.1-247-216-00	CARBON	100	5%	1/2W	F
R384	1-205-647-00	CEMENT-COATED	0.22	5%	5W	
R504	△.1-213-131-00	METAL	100	5%	1W	F
R505	△.1-213-131-00	METAL	100	5%	1W	F
R603	△.1-247-244-00	CARBON	1.5K	5%	1/2W	F
R606	△.1-206-674-00	METAL	2.7K	5%	2W	F
R608	△.1-213-139-00	METAL	470	5%	1W	F
R658	△.1-213-139-00	METAL	470	5%	1W	F
R701	△.1-206-483-00	METAL	68	5%	2W	F
R705	1-213-136-00	METAL	270	5%	1W	F
R709	1-214-748-00	METAL	6.2K	1%	1/4W	
R751	△.1-206-483-00	METAL	68	5%	2W	F
R754	△.1-213-136-00	METAL	270	5%	1W	F
R755	△.1-213-136-00	METAL	270	5%	1W	F
R759	1-214-748-00	METAL	6.2K	1%	1/4W	
R801	△.1-247-248-00	CARBON	2.2K	5%	1/2W	F
R901	△.1-246-521-00	CARBON	100K	5%	1/4W	
R902	△.1-247-141-00	CARBON	2.7K	5%	1/4W	F
R903	△.1-246-483-00	CARBON	2.7K	5%	1/4W	
R904	△.1-246-507-00	CARBON	27K	5%	1/4W	
R905	△.1-246-469-00	CARBON	680	5%	1/4W	
R906	1-244-829-00	CARBON	15	5%	1/2W	
RT201	1-226-233-00	RES, ADJ, CARBON	1K			
RT251	1-226-233-00	RES, ADJ, CARBON	1K			
RT301	1-224-247-XX	RES, ADJ, METAL GLAZE	100			
RT302	1-226-232-00	RES, ADJ, CARBON	500			
RT351	1-224-247-XX	RES, ADJ, METAL GLAZE	100			
RT352	1-226-232-00	RES, ADJ, CARBON	500			
RV1	1-228-109-00	RES, VAR, SLIDE	10K			
RV2	1-228-535-00	RES, VAR, CARBON	50K/50K			
RV3	1-228-536-00	RES, VAR, CARBON	37K/37K			
RV4	1-228-537-00	RES, VAR, CARBON	24K/24K			
RY601	1-515-347-00	RELAY				
RY801	1-515-348-00	RELAY				

ELECTRICAL PARTS

Ref.No	Part No.	Description
S1	1-553-596-00	SWITCH, ROTARY SLIDE
S1	1-553-598-00	SWITCH, SLIDE (REMOTE TYPE)
S2	1-554-017-00	SWITCH, PUSH (5 KEY)
S3	1-554-017-00	SWITCH, PUSH (5 KEY)
S4	1-554-017-00	SWITCH, PUSH (5 KEY)
S5	1-554-017-00	SWITCH, PUSH (5 KEY)
S6	1-554-017-00	SWITCH, PUSH (5 KEY)
S7	1-554-014-00	SWITCH, PUSH (1 KEY)
S8	1-554-015-00	SWITCH, PUSH (2 KEY)
S9	1-554-015-00	SWITCH, PUSH (2 KEY)
S10	1-554-014-00	SWITCH, PUSH (1 KEY)
S11	1-554-018-00	SWITCH, ROTARY
S11	1-554-019-00	SWITCH, SLIDE (REMOTE TYPE)
S12	1-554-016-00	SWITCH, PUSH (2 KEY)
S13	1-554-016-00	SWITCH, PUSH (2 KEY)
S14	△.1-552-246-00	(Canadian,US)...SWITCH, PUSH (POWER)
S14	△.1-552-141-00	(AEP,UK).....SWITCH, PUSH (POWER)
T901	△.1-543-098-00	CORE
T902	△.1-543-100-00	CORE
T903	△.1-447-303-00	(US,Canadian)...TRANSFORMER, CONVERTER
T903	△.1-447-304-11	(AEP,UK).....TRANSFORMER, CONVERTER
TM1	1-536-571-00	TERMINAL BOARD, 4P
TM2	1-536-571-00	TERMINAL BOARD, 4P

For Service Manuals Contact  
**MAURITRON TECHNICAL SERVICES**  
 8 Cherry Tree Rd, Chinnor  
 Oxon OX9 4QY  
 Tel: 01844-351694 Fax: 01844-352554  
 Email: enquiries@mauritron.co.uk

NOTE:

- Items with no part number and no description are not stocked because they are seldom required for routine service.
- Items marked "▲" are not stocked since they are seldom required for routine service. Some delay should be anticipated when ordering these items.
- Due to standardization, parts with part numbers (△-△△△-△△△-XX or △-△△△△-△△△-X) may be different from those used in the set.

SEMICONDUCTORS

In each case, U : μ, for example:  
 UA...: μA...; UPA...: μPA...; UPC...: μPC...  
 UPD...: μPD...

CAPACITORS:

- All capacitors are in μF. Common capacitors are omitted. Refer to the following lists for their part numbers.  
 MF: μF, PF: μμF.

RESISTORS

- All resistors are in ohms. Common 1/4W, 1/8W and 1/16W carbon resistors are omitted. Refer to the following lists for their part numbers.
- F : nonflammable

COILS

- MMH : mH, UH : μH

The components identified by shading and mark ▲ are critical for safety. Replace only with part number specified.

Les composants identifiés par une trame et une marque ▲ sont critiques pour la sécurité. Ne les remplacer que par une pièce portant le numéro spécifié.

For Service Manuals Contact  
MAURITRON TECHNICAL SERVICES  
8 Cherry Tree Rd, Chinnor  
Oxon OX9 4QY  
Tel:- 01844-351694 Fax:- 01844-352554  
Email:- enquiries@mauritron.co.uk

**Sony Corporation**  
Audio & Video Group © 1982